

PRODUCT CATALOGUE

ANTENNA SYSTEMS

VERSION 2.1

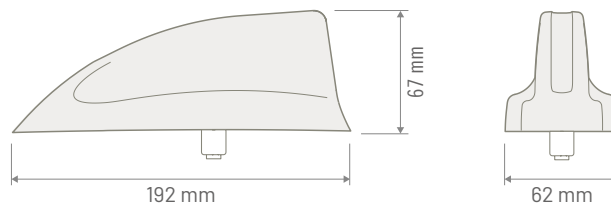


INDEX

BROADCASTING ANTENNAS	3
TELEMATIC ANTENNAS	19
BUILDING ANTENNAS	32
SERVICE BOX RANGE	41
ADAPTERS AND CABLES	47
ACCESSORIES AND SPARE PARTS	54
AUDIO AND VIDEO	57
LIST OF ALL ITEMS	69

BROADCASTING ANTENNAS

SHARK 3



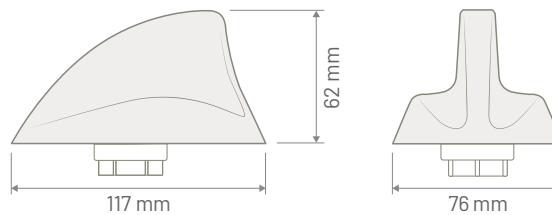
DESCRIPTION	AM / FM	DAB	GNSS	2G 3G 4G	IP	P/N BOX	MOQ	P/N MASTER BOX	MOQ	P/N BULK	MOQ
QUAD	•	•	•	•	66K	7677520	1	7670218	24	7670229	40
TRIPLEX	•	•	•		66K	7677510	1	7670219	24	7670230	40
COMBI RADIO	•	•			66K	7677500	1	7670220	24	7670231	40

TECHNICAL SPECIFICATION	AM / FM	DAB	GNSS	2G - 3G - 4G
FREQUENCY	525-1710 kHz / 87,5-108 MHz	174 - 240 MHz	1559 - 1610 MHz	2G: 876-935 / 1710-1880 MHz 3G: 1900-2025 / 2110-2200 MHz 4G: 698-960 / 1710-2160 / 2490-2690 MHz
CONNECTOR	FAKRA Male White	FAKRA Male Black	FAKRA Male Blue	FAKRA Male Bordeaux
CABLE TYPE	RG 174	RG 174	RG 174	RG 174
CABLE LENGTH	210 mm	310 mm	410 mm	260 mm
POWER SUPPLY	12 Volt phantom	12 Volt phantom	3 - 5 Volt phantom	-
CONSUMPTION	63 mA	40 mA	31 mA	-
IMPEDANCE	FM: 50 Ω	50 Ω	50 Ω	50 Ω
GAIN	-	6 dBi	28 dBi	Peak: 4 dBi
VSWR	FM < 2:1	< 3:1	1,7:1	3:1
MAX POWER	-	-	-	4 Watt
COACHWORK DRILLING	Round: min 17 mm - max 23 mm			

NOTES

The antenna must be powered via both the AM/FM and DAB connectors.
Extension cables not included in the package.

SHARK 2



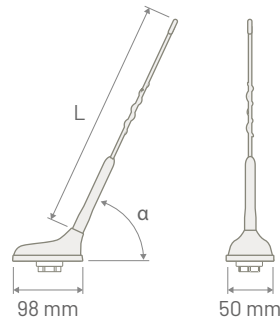
DESCRIPTION	AM / FM	DAB	GNSS	IP	P/N BOX	MOQ	P/N MASTER BOX	MOQ	P/N BULK	MOQ
TRIPLEX	•	•	•	68	7677810	1	7670210	24	7670221	40
COMBI RADIO	•	•		68	7677815	1	7670211	24	7670222	40
DAB		•		68	7677820	1	7670212	24	7670223	40
DUPLEX	•		•	68	7677825	1	7670213	24	7670224	40
RADIO	•			68	7677830	1	7670214	24	7670225	40

TECHNICAL SPECIFICATION	AM / FM	DAB	GNSS
FREQUENCY	525-1710 kHz / 87,5-108 MHz	174 - 240 MHz	1559 - 1610 MHz
CONNECTOR	FAKRA Male White	FAKRA Male Black	FAKRA Male Blue
CABLE TYPE	RG 174	RG 174	RG 174
CABLE LENGTH	250 mm	250 mm	250 mm
POWER SUPPLY	12 Volt dedicated and phantom		3 - 5 Volt phantom
CONSUMPTION	50 mA max	50 mA max	45 mA max
IMPEDANCE	50 Ω	50 Ω	50 Ω
GAIN	0 dBi	2 dBi	28 dBi
VSWR	-	< 3:1	1,7:1
COACHWORK DRILLING	Square: 15 x 15 mm - Round: 19 mm		

NOTES

Extension cables not included in the package.

16V TRIPLEX



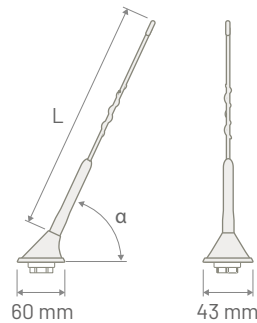
DESCRIPTION	AM / FM	DAB	GNSS	ROD LENGTH (L) mm	ROD THREAD	ROD TYPE	BASE ANGLE (α)	IP	P/N BOX	MOQ	P/N MASTER BOX	MOQ
TRIPLEX	•	•	•	300	M5	Antinoise	65°	66	7677841	1	7670239	50
TRIPLEX - SHORT ROD	•	•	•	200	M5	Antinoise	65°	66	7677811	1	7670240	50

TECHNICAL SPECIFICATION	AM / FM	DAB	GNSS
FREQUENCY	525-1710 kHz / 87,5-108 MHz	174 - 240 MHz	1559 - 1610 MHz
CONNECTOR	FAKRA Male White	FAKRA Male Black	FAKRA Male Blue
CABLE TYPE	RG 174	RG 174	RG 174
CABLE LENGTH	200 mm	245 mm	245 mm
POWER SUPPLY	12 Volt dedicated		3 - 5 Volt phantom
CONSUMPTION	75 mA (± 10 mA)		27 mA (± 10 mA)
IMPEDANCE	50 Ω	50 Ω	50 Ω
GAIN	FM: 2,5 dBi (Peak)	13 dBi (Peak)	38 dBi
VSWR	AM: < 2,5:1 / FM: < 3,5:1	< 2,5:1	< 1,9:1
COACHWORK DRILLING	Square: 15 x 15 mm - Round: 19 mm		

NOTES

Extension cables not included in the package.

16V COMBI



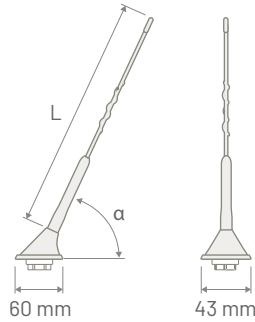
DESCRIPTION	AM / FM	DAB	ROD LENGTH (L) mm	ROD THREAD	ROD TYPE	BASE ANGLE (α)	IP	P/N BOX	MOQ	P/N MASTER BOX	MOQ
COMBI RADIO	•	•	300	M5	Antinoise	60°	68	7677861	1	7670241	50
COMBI RADIO - SHORT ROD	•	•	200	M5	Antinoise	60°	68	7677821	1	7670242	50

TECHNICAL SPECIFICATION	AM / FM	DAB
FREQUENCY	525-1710 kHz / 87,5-108 MHz	174 - 240 MHz
CONNECTOR	FAKRA Male White	FAKRA Male Black
CABLE TYPE	RG 174	RG 174
CABLE LENGTH	200 mm	245 mm
POWER SUPPLY	12 Volt dedicated	
CONSUMPTION	75 mA (± 10 mA)	
IMPEDANCE	50 Ω	50 Ω
GAIN	FM: 2,5 dBi (Peak)	13 dBi (Peak)
VSWR	13 dBi (Peak)	< 2,5:1
COACHWORK DRILLING	Square: 15 x 15 mm - Round: 19 mm	

NOTES

Extension cables not included in the package.

16V ACTIVE



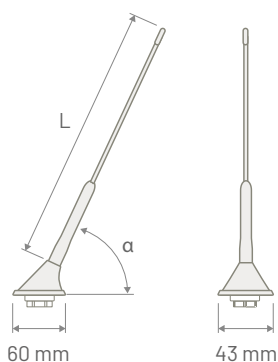
DESCRIPTION	AM / FM	ROD LENGTH (L) mm	ROD THREAD	ROD TYPE	BASE ANGLE (α)	IP	P/N BOX	MOQ	P/N MASTER BOX	MOQ
RADIO	•	300	M5	Antinoise	60°	68	7677871	1	7670243	50
RADIO	•	200	M5	Antinoise	60°	68	7677831	1	7670244	50

TECHNICAL SPECIFICATION	AM / FM
FREQUENCY	525-1710 kHz / 87,5-108 MHz
CONNECTOR	FAKRA Male White
BASE CABLE TYPE	RG 174
BASE CABLE LENGTH	200 mm
POWER SUPPLY	12 Volt dedicated
CONSUMPTION	75 mA (± 10 mA)
IMPEDANCE	50 Ω
GAIN	2,5 dBi (Peak)
VSWR	AM: < 2,5:1 / FM: < 3,5:1
COACHWORK DRILLING	Square: 15 x 15 mm - Round: 19 mm

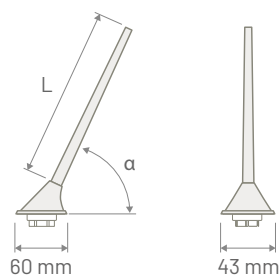
NOTES

Extension cable not included in the package.

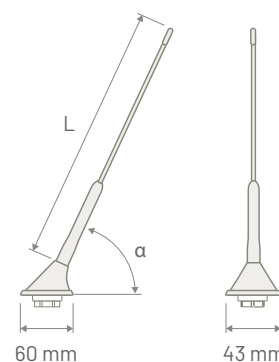
16V PASSIVE



1



2



3

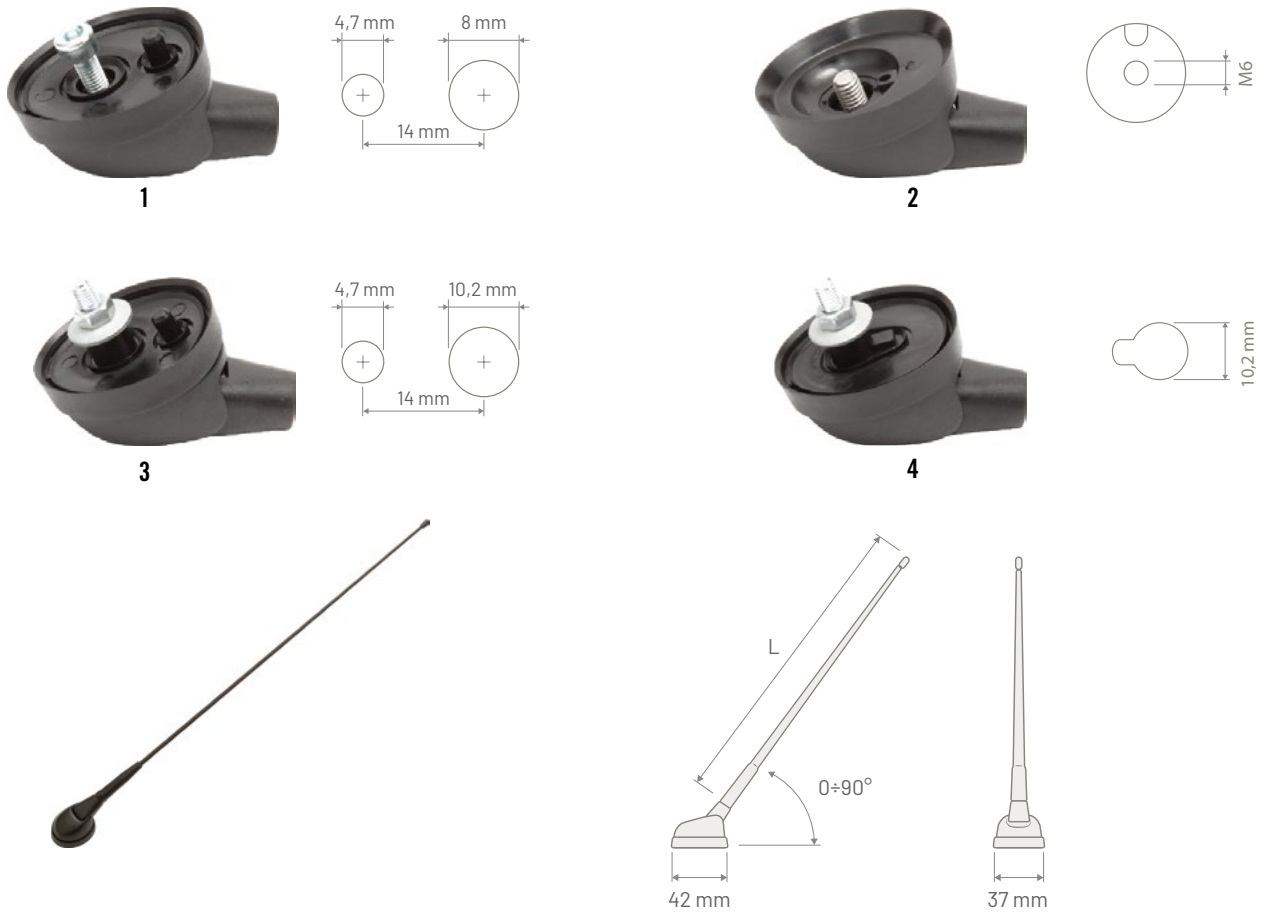
IMG	DESCRIPTION	AM / FM	ROD LENGTH (L) mm	ROD THREAD	ROD TYPE	BASE ANGLE (α)	IP	P/N BOX	MOQ	P/N MASTER BOX	MOQ
1	RADIO	•	405	M5	Smooth	60°	68	7677870	1	7670245	50
	RADIO	•	405	M5	Smooth	76°	68	7677878	1	7670246	50
2	RADIO DAB READY	•	200	M5	Smooth	60°	68	7677865	1	7670247	50
3	RADIO	•	405	M5	Smooth	45°	68	7677882	1	7670248	50

TECHNICAL SPECIFICATION	AM / FM
FREQUENCY	525-1710 kHz / 87,5-108 MHz
CONNECTOR	FAKRA Male White
BASE CABLE TYPE	RG 174
BASE CABLE LENGTH	180 mm
IMPEDANCE	FM: 50 Ω
VSWR	< 3:1
COACHWORK DRILLING	Square: 15 x 15 mm - Round: 19 mm

NOTES

Extension cable not included in the package.
 P/N 7677865 An active or passive splitter is needed to enable DAB reception (see Service Box chapter).

PASSIVE WITHOUT CABLE



IMG	DESCRIPTION	CUSTOM	AM / FM DAB READY	ROD LENGTH (L) mm	ROD THREAD	IP	P/N BOX	MOQ	P/N MASTER BOX	MOQ	P/N BULK	MOQ
1	RADIO	Ford	•	400	M6	68	7657009	1	7650013	50	7650021	50
2	RADIO	FCA > 2001	•	400	M6	68	7657015	1	7650014	50	7650022	50
3	RADIO	FCA Commercial Vehicles	•	400	M6	68	7657019	1	7650015	50	7650023	50
4	RADIO	FCA 2002 >	•	400	M6	68	7657021	1	7650016	50	7650024	50

TECHNICAL SPECIFICATION	AM / FM
FREQUENCY	525-1710 kHz / 87,5-108 MHz
CONSUMPTION	Passive
MOUNTING	OEM set-up
ROD TYPE	Smooth

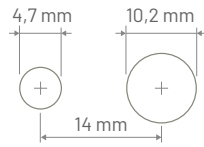
NOTES

An active or passive splitter is needed to enable DAB reception (see Service Box chapter).

PASSIVE WITH CABLE



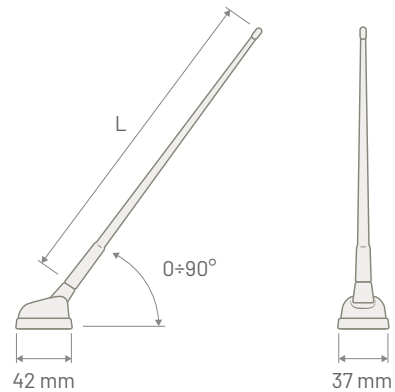
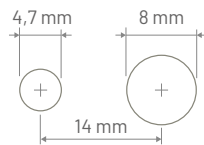
1



2



3



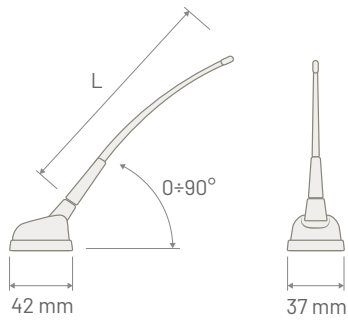
IMG	DESCRIPTION	AM / FM DAB READY	CABLE LENGHT	MOUNTING TYPE	IP	P/N BOX	MOQ	P/N MASTER BOX	MOQ	P/N BULK	MOQ
1	RADIO UNIVERSAL	•	2750 mm	Universal	68	7657016	1	7650017	50	7650025	50
2	RADIO FCA 2002 >	•	2750 mm	OEM set-up	68	7657020	1	7650018	50	7650027	50
3	RADIO UNIVERSAL	•	2500 mm	Universal	68	7657008	1	7650019	50	7650028	50

TECHNICAL SPECIFICATION	AM / FM
FREQUENCY	525-1710 kHz / 87,5-108 MHz
CONNECTOR	DIN Male
CABLE TYPE	RG58
IMPEDANCE	50 Ω
ROD TYPE	Smooth
ROD LENGTH (L)	400 mm
ROD THREAD	M6

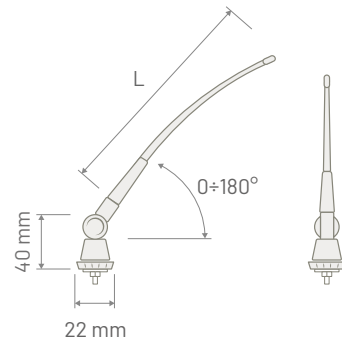
NOTES

An active or passive splitter is needed to enable DAB reception (see Service Box chapter).

FLEXI



1



2

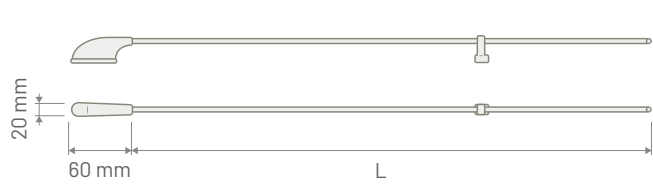
IMG	DESCRIPTION	AM / FM DAB READY	CABLE LENGHT	MOUNTING TYPE	IP	P/N BOX	MOQ	P/N MASTER BOX	MOQ	P/N BULK	MOQ
1	RADIO DAB READY TE BASE	•	2500 mm	Universal	68	7667010	1	7660300	50	7660304	50
	RADIO DAB READY TE BASE	•	1500 mm	Universal	68	7667011	1	7660301	50	7660305	50
2	RADIO DAB READY SPHERIC BASE	•	2500 mm	Universal	68	7667012	1	7660302	50	7660306	50
	RADIO DAB READY SPHERIC BASE	•	1500 mm	Universal	68	7667013	1	7660303	50	7660307	50

TECHNICAL SPECIFICATION	AM / FM
FREQUENCY	525-1710 kHz / 87,5-108 MHz
CONNECTOR	DIN Male
CABLE TYPE	RG 58
IMPEDANCE	50 Ω
ROD TYPE	Smooth
ROD LENGTH (L)	240 mm
ROD THREAD	M6
ROD SPECIAL FEATURES	High flexibility – Heavy duty

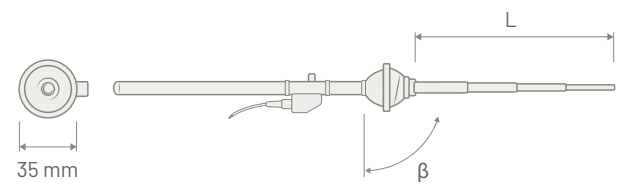
NOTES

An active or passive splitter is needed to enable DAB reception (see Service Box chapter).

TELESCOPIC



1

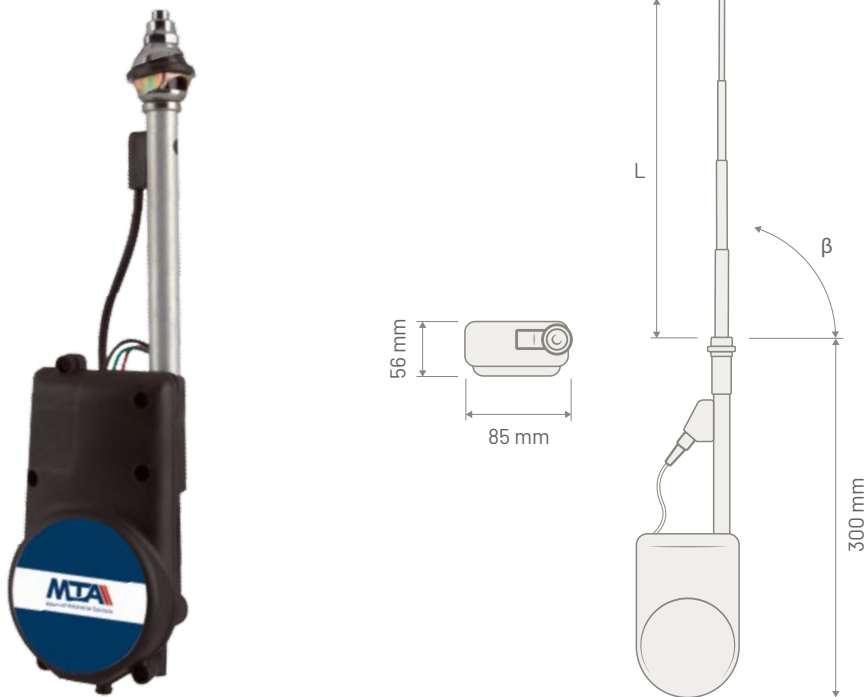


2

IMG	DESCRIPTION	AM / FM	ROD LENGTH (L) mm	ROD ANGLE (β)	P/N BOX	MOQ	P/N MASTER BOX	MOQ
1	RADIO PILLAR	•	Min: 445 - Max: 1240	-	7627008	1	7620018	50
2	RADIO FENDER	•	85	Max 45° from vertical position	7677153	1	7670232	50

TECHNICAL SPECIFICATION	AM / FM
FREQUENCY	525-1710 kHz / 87,5-108 MHz
CONNECTOR	DIN Male
CABLE TYPE	Coaxial
CABLE LENGTH	1500 mm
IMPEDANCE	130 Ω
ROD TYPE AND COLOUR	P/N 7627008 3 elements telescopic - Inox P/N 7677153 4 elements telescopic - Inox
MOUNTING AND COACHWORK DRILLING	P/N 7627008 Pillar - Round: 10 mm P/N 7677153 Fender - Round: 17 mm

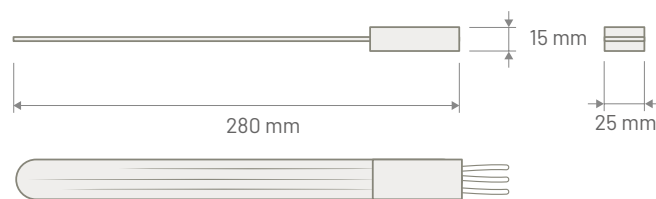
TELESCOPIC ELECTRIC



DESCRIPTION	AM / FM	ROD LENGTH (L) mm	ROD ANGLE (β)	P/N BOX	MOQ	P/N MASTER BOX	MOQ
MOTORIZED INOX	•	790	Max 30° from vertical position	7677154	1	7670233	10
MOTORIZED BLACK	•	790	Max 30° from vertical position	7677155	1	7670234	10

TECHNICAL SPECIFICATION	AM / FM
FREQUENCY	525-1710 kHz / 87,5-108 MHz
CONNECTOR	DIN Male
CABLE TYPE	3C-2V
CABLE LENGTH	1400 mm
POWER SUPPLY	12 Volt dedicated
CONSUMPTION	36 W max
IMPEDANCE	50 Ω
ROD TYPE AND COLOUR	P/N 7677154 5 elements stainless steel telescopic - Inox P/N 7677155 5 elements stainless steel telescopic - Black
MOUNTING	Fender
COACHWORK DRILLING	Round: 14,5 mm

NEW LIGHT RADIO SERIES



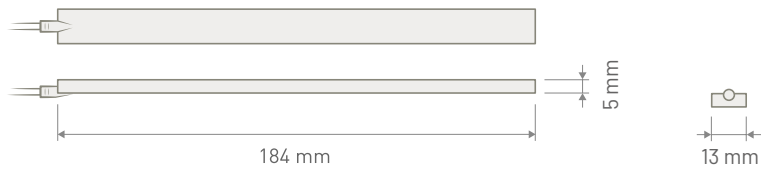
DESCRIPTION	AM / FM	DAB	IP	P/N BOX	MOQ	P/N MASTER BOX	MOQ
	COMBI RADIO	•	•	41	7677925	1	7670235
DAB EVOLUTION		•	41	7677929	1	7670236	50

TECHNICAL SPECIFICATION	AM / FM	DAB
FREQUENCY	525-1710 kHz / 87,5-108 MHz	174 - 240 MHz
CONNECTOR	FAKRA Male White	FAKRA Male Black
CABLE TYPE	RG 174	RG 174
CABLE LENGTH	170 mm	170 mm
POWER SUPPLY	12 Volt phantom	12 Volt phantom
CONSUMPTION	90 mA max	90 mA max
IMPEDANCE	50 Ω	50 Ω
GAIN	-	8 dBi
VSWR	FM: < 3:1	< 2:1
MOUNTING	Internal adhesive on glass	

NOTES

The antenna must be powered via both the AM/FM and DAB connectors.
 Extension cables not included in the package.

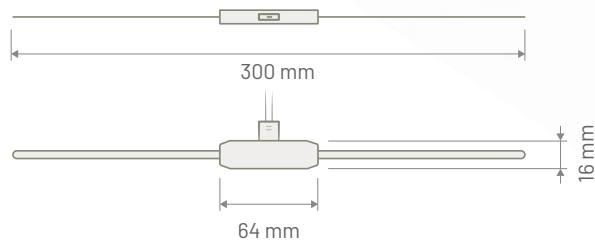
RUBBER DAB



DESCRIPTION	DAB	P/N BOX	MOQ	P/N MASTER BOX	MOQ	P/N BULK	MOQ
RUBBER DAB	•	7137134	1	7130052	50	7130053	50

TECHNICAL SPECIFICATION	DAB
FREQUENCY	174 - 240 MHz
CONNECTOR	SMB Female 90°
CABLE TYPE	RG 174
CABLE LENGTH	3500 mm
POWER SUPPLY	12 Volt phantom
CONSUMPTION	28 mA max
IMPEDANCE	50 Ω
GAIN	6 dBi
VSWR	1,8 typical
MOUNTING	Internal adhesive on glass

WHISKER



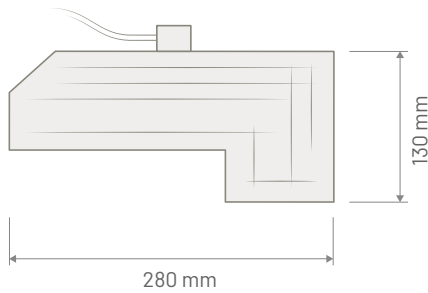
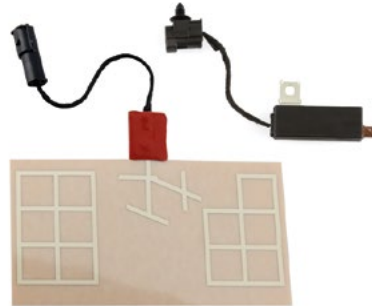
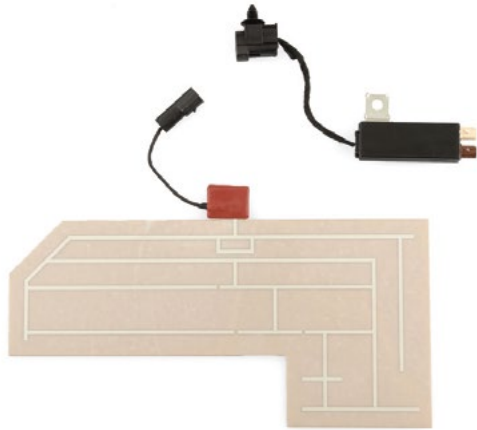
DESCRIPTION	CONNECTOR	POWER SUPPLY	AM / FM	P/N BOX	MOQ	P/N MASTER BOX	MOQ
WHISKER DIN	DIN Male	12 Volt dedicated	•	7697015	1	7690014	50
WHISKER FAKRA	FAKRA Female WHITE	12 Volt phantom	•	7697018	1	7690015	50

TECHNICAL SPECIFICATION	AM / FM
FREQUENCY	525 - 1710 kHz / 87,5 - 108 MHz
IMPEDANCE	75 Ω
CONSUMPTION	40 mA max
VSWR	< 3:1
MOUNTING	Internal adhesive on glass

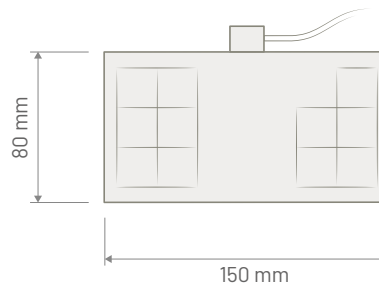
NOTES

AM and FM double amplification.

FOIL



1



2

IMG	DESCRIPTION	AM / FM	DAB	IP	P/N BOX	MOQ	P/N MASTER BOX	MOQ
1	FOIL COMBI RADIO	•	•	67	7677955	1	7670237	20
2	FOIL DAB		•	67	7677951	1	7670238	20

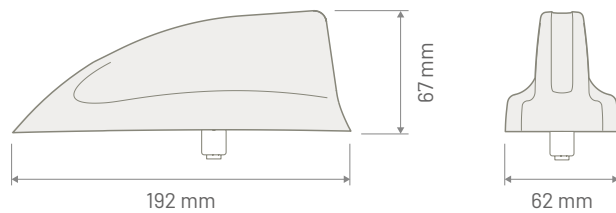
TECHNICAL SPECIFICATION	AM / FM	DAB
FREQUENCY	525-1710 kHz / 87,5-108 MHz	174 - 240 MHz
CONNECTOR	FAKRA Male White	FAKRA Male Brown DAB
POWER SUPPLY	12 Volt phantom	12 Volt phantom
CONSUMPTION	60 mA max	60 mA max
IMPEDANCE	50 Ω	50 Ω
GAIN	-	P/N 7677955 8 dBi P/N 7677951 10 dBi
VSWR	FM: 2,1:1	P/N 7677955 1,7:1 P/N 7677951 <2:1
MOUNTING	Foil: Internal adhesive on bumper and other plastic and fiberglass surface Amplifier: screw to the metallic part	

NOTES

P/N 7677955 Amplifier must be powered from both AM/FM and DAB connectors.
Extension cables not included in the package.

TELEMATIC ANTENNAS

SHARK 3 TELEMATICS



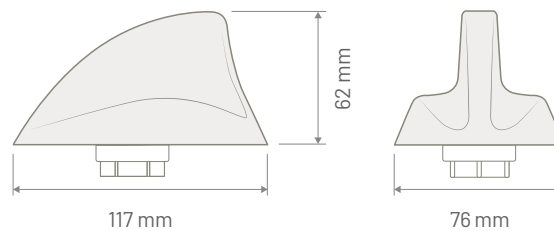
DESCRIPTION	2G 3G 4G 5G	WIFI DUAL BAND BLUETOOTH	TETRA	GNSS	IP	P/N BOX	MOQ	P/N MASTER BOX	MOQ	P/N BULK	MOQ
COMLOC MIMO	2x	•		•	66K	7727108	1	7723003	24	7723007	40
COM MIMO	2x	•		-	66K	7727106	1	7723004	24	7723008	40
COMLOC TETRA			•	•	66K	7771019	1	7776010	24	7770080	40

TECHNICAL SPECIFICATION	2G - 3G - 4G - 5G	WIFI DUAL BAND BLUETOOTH	TETRA	GNSS
FREQUENCY	2G: 876-935 / 1710-1880 MHz 3G: 1900-2025 / 2110-2200 MHz 4G: 698-960 / 1710-2160 / 2490-2690 MHz 5G: TBD	2401 – 2495 MHz / 5170 – 5850 MHz	380 – 430 MHz	1559 – 1610 MHz
CONNECTOR	FAKRA Male Bordeaux	FAKRA Male Violet	FAKRA Male Green	FAKRA Male Blue
CABLE TYPE	RG 174	RG 174	RG174	RG 174
CABLE LENGTH	230 mm and 260 mm	180 mm	220 mm	410 mm
POWER SUPPLY	-	-	-	5 Volt (± 0,5) phantom
CONSUMPTION	-	-	-	31 mA max
IMPEDANCE	50 Ω	50 Ω	50 Ω	50 Ω
GAIN	Peak: 1 dBi	Peak: 5 dBi	- 3 dBi	28 dBi
VSWR	3:1	2,5:1	2:1	1,7:1
MAX POWER	4 Watt	4 Watt	10 Watt	-
MOUNTING	On roof			
COACHWORK DRILLING	Round: min 17 mm - max 23 mm			

NOTES

Extension cables not included in the package.

SHARK 2



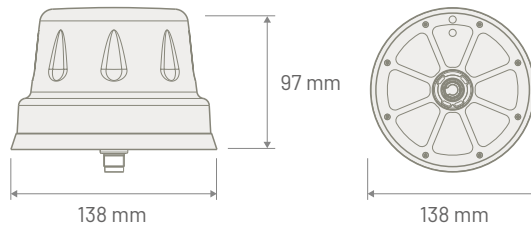
DESCRIPTION	2G 3G 4G 5G	WIFI DUAL BAND BLUETOOTH	GNSS	IP	P/N BOX	MOQ	P/N MASTER BOX	MOQ	P/N BULK	MOQ
COMLOC	•	-	•	68	7727098	1	7723001	24	7723005	40
COMLOC WIFI	•	•	•	68	7727099	1	7723002	24	7723006	40

TECHNICAL SPECIFICATION	2G - 3G - 4G - 5G	WIFI DUAL BAND BLUETOOTH	GNSS
FREQUENCY	2G: 876-935 / 1710-1880 MHz 3G: 1900-2025 / 2110-2200 MHz 4G: 698-960 / 1710-2160 / 2490-2690 MHz 5G: 3400 - 3800 MHz	2401 – 2495 MHz / 5170 – 5850 MHz	1559 – 1610 MHz
CONNECTOR	FAKRA Male Bordeaux	FAKRA Male Violet	FAKRA Male Blue
CABLE TYPE	RG 174	RG 174	RG 174
CABLE LENGTH	290 mm	120 mm	290 mm
POWER SUPPLY	-	-	3 - 5 Volt phantom
CONSUMPTION	-	-	45 mA max
IMPEDANCE	50 Ω	50 Ω	50 Ω
GAIN	Peak: 4 dBi	Peak: 4 dBi	28 dBi
VSWR	min 2:1 - max 2,5:1	2:1	2:1
MAX POWER	4 Watt	4 Watt	-
MOUNTING	On roof		
COACHWORK DRILLING	Square: 15x15 mm - Round: 19 mm		

NOTES

Extension cables not included in the package.

RADOME COMPACT



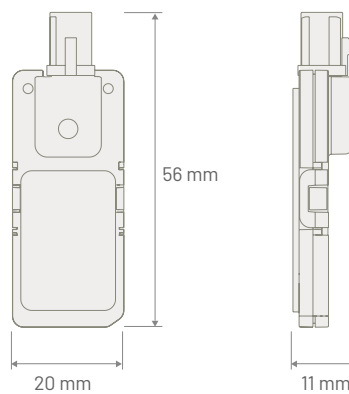
DESCRIPTION	2G 3G 4G	WIFI DUAL BAND BLUETOOTH	GNSS	IP	P/N BOX	MOQ	P/N BULK	MOQ
MIMO 2x	2x	-	-	69	7770035	1	7770078	6
MIMO 2x2	2x	2x	-	69	7770052	1	7770068	6
COMLOC	•	•	•	69	7770057	1	7770069	6
COMLOC MIMO 3x	3x	•	•	69	7770058	1	7770070	4
COMLOC MIMO 2x2	2x	2x	•	69	7770059	1	7770071	4
COMLOC MIMO 2x	2x	-	•	69	7770064	1	7770079	6

TECHNICAL SPECIFICATION	2G - 3G - 4G	WIFI DUAL BAND BLUETOOTH	GNSS
FREQUENCY	2G: 876-935 / 1710-1880 MHz 3G: 1900-2025 / 2110-2200 MHz 4G: 698-960 / 1710-2160 / 2490-2690 MHz	WIFI: 2401-2495 / 5170-5850 MHz BLUETOOTH: 2400 MHz	1559 - 1610 MHz
CONNECTOR	FAKRA Male Bordeaux	FAKRA Male Violet	FAKRA Male Blue
CABLE TYPE	RG 174	RG 174	RG 174
CABLE LENGTH	190 mm	190 mm	190 mm
POWER SUPPLY	-	-	3 - 5 Volt phantom
CONSUMPTION	-	-	45 mA max
IMPEDANCE	50 Ω	50 Ω	50 Ω
GAIN	5 dBi max	4 dBi max	28 dBi
VSWR	2,5:1	1,8:1	1,5:1
MAX POWER	4 Watt	4 Watt	-
MOUNTING	On roof		
COACHWORK DRILLING	Round: 19 mm		

NOTES

Extension cables not included in the package.

INTERNAL WIFI



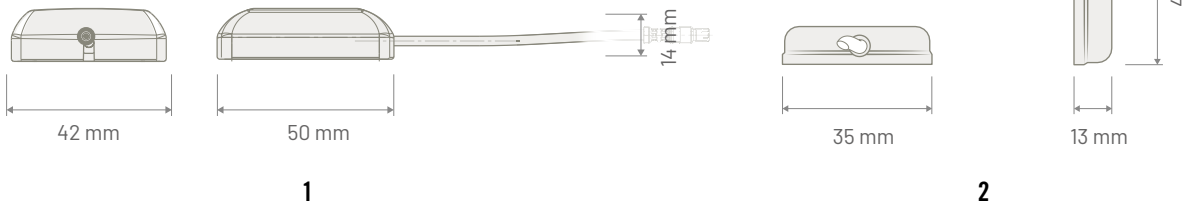
DESCRIPTION	WIFI DUAL BAND		IP	P/N BOX	MOQ	P/N BOX	MOQ	P/N BULK	MOQ
INTERNAL WIFI	•		42	7751001	1	7750204	50	7750205	100

TECHNICAL SPECIFICATION	WIFI 2,4 GHz		WIFI 5 GHz	
	FREQUENCY	2400 – 2500 MHz		5100 – 5910 MHz
CONNECTOR	FAKRA Male Beige			
IMPEDANCE	50 Ω			
GAIN	- 1 dBi		- 1 dBi	
VSWR	< 2		< 2	
MAX POWER	TBD		TBD	
MOUNTING	Adhesive / Internal			

NOTES

Extension cable not included in the package.

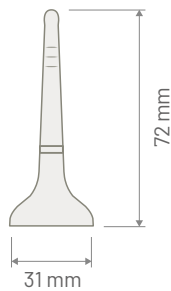
NAVI



IMG	DESCRIPTION	GNSS	GPS	IP	CONNECTOR	CABLE LENGHT	P/N BOX	MOQ	P/N MASTER BOX	MOQ	P/N BULK	MOQ
1	NAVI SMB	•		69k	SMB Female	3500 mm	7757001	1	7750191	50	7750192	50
	NAVI SMA	•		69k	SMA Male	3500 mm	7757002	1	7750193	50	7750194	50
	NAVI FAKRA	•		69k	FAKRA Female BLUE	3500 mm	7757006	1	7750195	50	7750196	50
2	NAVI SMALL SMB		•	52	SMB Female	3500 mm	7750004	1	7750197	50	7750198	50
	NAVI SMALL FAKRA		•	52	FAKRA Female BLUE	3500 mm	7750006	1	7750199	50	7750200	50
	NAVI SMALL FAKRA		•	52	FAKRA Male BLUE	100 mm	7750180	1	7750201	50	7750202	50

TECHNICAL SPECIFICATION	GNSS	GPS
FREQUENCY	1559-1610 MHz	1575,42 MHz
CABLE TYPE	RG 174	RG 174
POWER SUPPLY	3 - 5 Volt phantom	3 - 5 Volt phantom
CONSUMPTION	45 mA max	22 mA max
IMPEDANCE	50 Ω	50 Ω
GAIN	28 dBi	≥ 22 dBi
VSWR	1,5:1	< 2,1
MOUNTING	Internal and external - Magnetic and adhesive	Internal adhesive

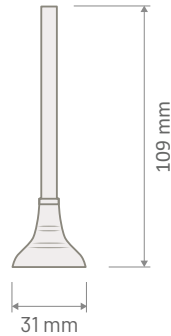
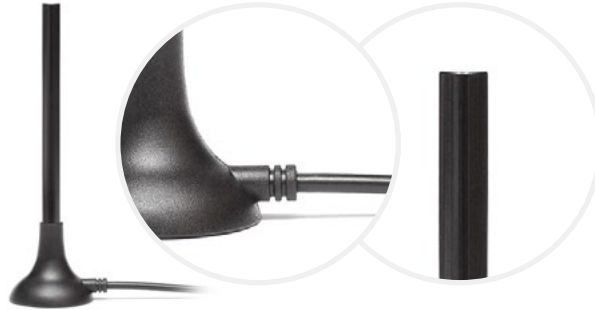
MAGNETIC EVOLUTION 4G



DESCRIPTION	ISM 2G 4G	2G 3G	4G WIFI BT	IP	P/N BOX	MOQ	P/N MASTER BOX	MOQ	P/N BULK	MOQ
MAG EVO 4G	•	•	•	68	8610147	1	8610176	50	8610177	100

TECHNICAL SPECIFICATION	ISM - 2G - 4G	2G - 3G	4G - WIFI - BLUETOOTH
FREQUENCY	698 - 960 MHz	1710 - 2170 MHz	2500 - 2700 MHz
CONNECTOR	SMA Male		
CABLE TYPE	RG 174		
CABLE LENGTH	3000 mm		
IMPEDANCE	50 Ω	50 Ω	50 Ω
GAIN	1 dBi	2,4 dBi	2,1 dBi
VSWR	~ 1,9:1	~ 1,5:1	~ 1,3:1
MAX POWER	50 Watt	50 Watt	50 Watt
MOUNTING	Magnetic		

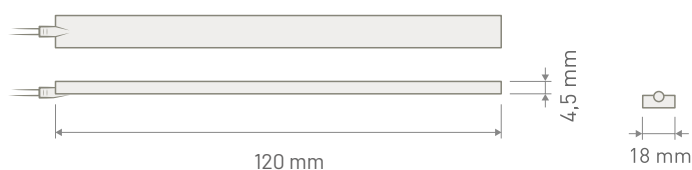
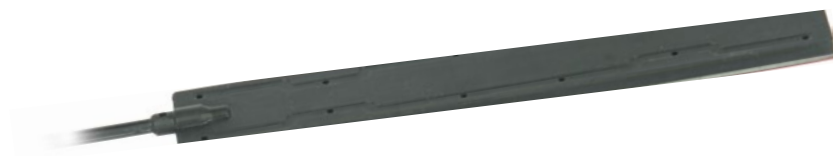
MAGNETIC EVOLUTION 5G



DESCRIPTION	5G - 4G 3G - 2G	LPWA NB-IoT	BLUETOOTH	WIFI DUALBAND	IP	P/N BOX	MOQ	P/N MASTER BOX	MOQ	P/N BULK	MOQ
MAG EVO 5G	•	•	•	•	68	8610157	1	8610178	50	8610179	100

TECHNICAL SPECIFICATION	5G - 4G - 3G - 2G / LPWA / NB-IoT / BLUETOOTH / WIFI DUALBAND				
FREQUENCY	617 - 960 MHz		1427 - 2690 MHz		3300 - 5000 MHz
PEAK GAIN	1.0 dBi		2.9 dBi		0.4 dBi
VSWR	1.8:1		1.9:1		2.8:1
CONNECTOR	SMA Male Reverse Polarity				
CABLE TYPE	LL100 Low Loss				
CABLE LENGTH	3000 mm				
POWER SUPPLY	Passive				
RADIATION	Omnidirectional				
POLARIZATION	Linear				
IMPEDANCE	50 Ω				
BASE MATERIAL	Polypropylene				
ROD MATERIAL	Brass				
MAX POWER	35 Watt				
WEIGHT	70 g				
TEMPERATURE	- 40° C to + 85° C				
MOUNTING	Internal, magnetic				

RUBBER



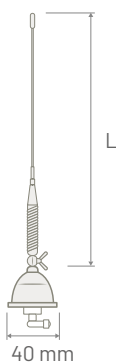
DESCRIPTION	2G	3G	4G	5G	IP	P/N BOX	MOQ	P/N MASTER BOX	MOQ	P/N BULK	MOQ
RUBBER 4G	•	•	•		67	7681080	1	7680638	50	7680639	50
RUBBER 5G	•	•	•	•	67	7681096	1	7686010	50	7680640	50

TECHNICAL SPECIFICATION	2G	3G	4G	5G
FREQUENCY	876-935 / 1710-1880 MHz	1900-2025 / 2110-2200 MHz	698-960 / 1710-2160/ 2490-2690 MHz	TBD
CONNECTOR	FAKRA Male Bordeaux			
CABLE TYPE	RG 174			
CABLE LENGTH	110 mm			
IMPEDANCE	50 Ω			
GAIN	Peak: 2 dBi			
VSWR	3,2:1			
MOUNTING	Internal adhesive			

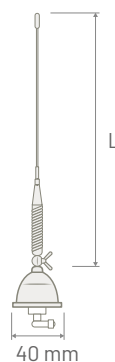
NOTES

Extension cable not included in the package.

EMERGENCY SERVICES



1



2

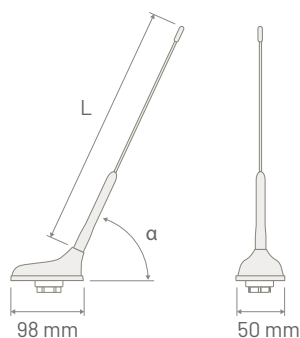
IMG	DESCRIPTION	VHF UHF TETRA	70/80 MHZ	ROD LENGTH (L) mm	ROD TYPE	P/N BOX	MOQ	P/N MASTER BOX	MOQ
1	ES TUNABLE	•		655	Stainless steel	7771010	1	7130054	25
2	ES 70/80 MHZ		•	950	Fiberglass	7640006	1	7130055	25

TECHNICAL SPECIFICATION	VHF - UHF - TETRA	70/80 MHZ
FREQUENCY	VHF: 146-174 MHz UHF: 430-470 MHz TETRA: 380-430 MHz	70 - 80 MHz
CONNECTOR	Extension cable without connector	TNC F
CABLE TYPE	RG 58	Extension cable not included
CABLE LENGTH	5000 mm	-
IMPEDANCE	50 Ω	50 Ω
GAIN	2 dBi	0 dBi
VSWR	< 1,5:1	2:1
MAX POWER	100 Watt	100 Watt
MOUNTING	On roof / Pillar / Fender	On roof / Pillar / Fender
COACHWORK DRILLING	Round: 19 mm	

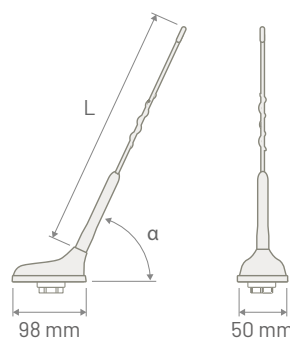
NOTES

P/N 7771010 Omnidirectional 1/4 lambda type - tunable rod.
P/N 7640006 Optional extension cable P/N 7583040 (Type: RG 58 - Length: 5000 mm - Connector: TNC Male 90°).

16V TRIPLEX



1

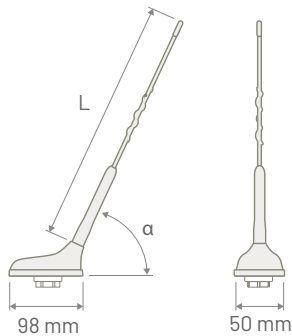


2

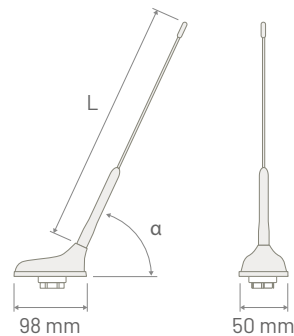
IMG	DESCRIPTION	VHF	UHF	2G	GNSS	ROD LENGTH (L) mm	ROD THREAD	ROD TYPE	BASE ANGLE (α)	IP	P/N BOX	MOQ	P/N MASTER BOX	MOQ
1	TRIPLEX UHF		•	•	•	265	M6	Smooth	60°	66	7771004	1	7770072	25
2	TRIPLEX VHF	•		•	•	380	M6	Antinoise	60°	66	7771005	1	7770073	25

TECHNICAL SPECIFICATION	VHF	UHF	2G	GNSS
FREQUENCY	146 - 174 MHz	430 - 470 MHz	876-935 / 1710-1880 MHz	1559 - 1610 MHz
ANTENNA CONNECTOR	FAKRA Male Green	FAKRA Male Green	FAKRA Male Bordeaux	FAKRA Male Blue
ANTENNA CABLE TYPE	RG 174	RG 174	RG 174	RG 174
ANTENNA CABLE LENGTH	200 mm	200 mm	200 mm	220 mm
EXTENSION CABLE TYPE	RG 58	RG 58	RG 58	RG 174
EXTENSION CABLE LENGTH	5000 mm	5000 mm	5000 mm	5000 mm
EXTENSION CABLE CONNECTOR	FAKRA Female Green FME Female		FAKRA Female Bordeaux FME Female	FAKRA Female Blue FME Female
POWER SUPPLY	-	-	-	3 - 5 Volt
CONSUMPTION	-	-	-	45 mA max
IMPEDANCE	50 Ω	50 Ω	50 Ω	50 Ω
GAIN	0 dBi	-1 dBi	Peak: 3 dBi	30 dBi
VSWR	1,5:1	2:1	3:1	1,5:1
MAX POWER	20 Watt	10 Watt	4 Watt	-
MOUNTING	On roof			
COACHWORK DRILLING	Square: 15 x 15 mm - Round: 19 mm			

16V COMBI



1

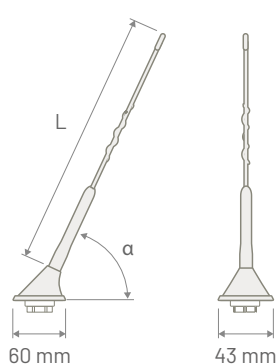


2

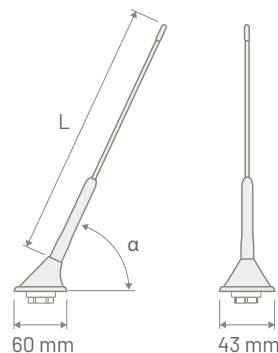
IMG	DESCRIPTION	VHF	UHF	GNSS	ROD LENGTH (L) mm	ROD THREAD	ROD TYPE	BASE ANGLE (α)	IP	P/N BOX	MOQ	P/N MASTER BOX	MOQ
1	COMBI VHF	•		•	380	M6	Antinoise	60°	66	7771000	1	7770074	25
2	COMBI UHF		•	•	265	M6	Smooth	60°	66	7771001	1	7770075	25

TECHNICAL SPECIFICATION	VHF	UHF	GNSS
FREQUENCY	146 - 174 MHz	430 - 470 MHz	1559 - 1610 MHz
ANTENNA CONNECTOR	FAKRA Male Green	FAKRA Male Green	FAKRA Male Blue
ANTENNA CABLE TYPE	RG 174	RG 174	RG 174
ANTENNA CABLE LENGTH	245 mm	245 mm	245 mm
EXTENSION CABLE TYPE	RG 58	RG 58	RG 174
EXTENSION CABLE LENGTH	5000 mm	5000 mm	5000 mm
EXTENSION CABLE CONNECTOR	FAKRA Female Green - FME Female	FAKRA Female Green - FME Female	FAKRA Female Blue - SMB Female
POWER SUPPLY	-	-	3 - 5 Volt
CONSUMPTION	-	-	45 mA max
IMPEDANCE	50 Ω	50 Ω	50 Ω
GAIN	-1 dBi	0 dBi	30 dBi
VSWR	1.5:1	2:1	1,5:1
MAX POWER	20 Watt	20 Watt	-
MOUNTING	On roof		
COACHWORK DRILLING	Square: 15 x 15 mm - Round: 19 mm		

16V MONO



1



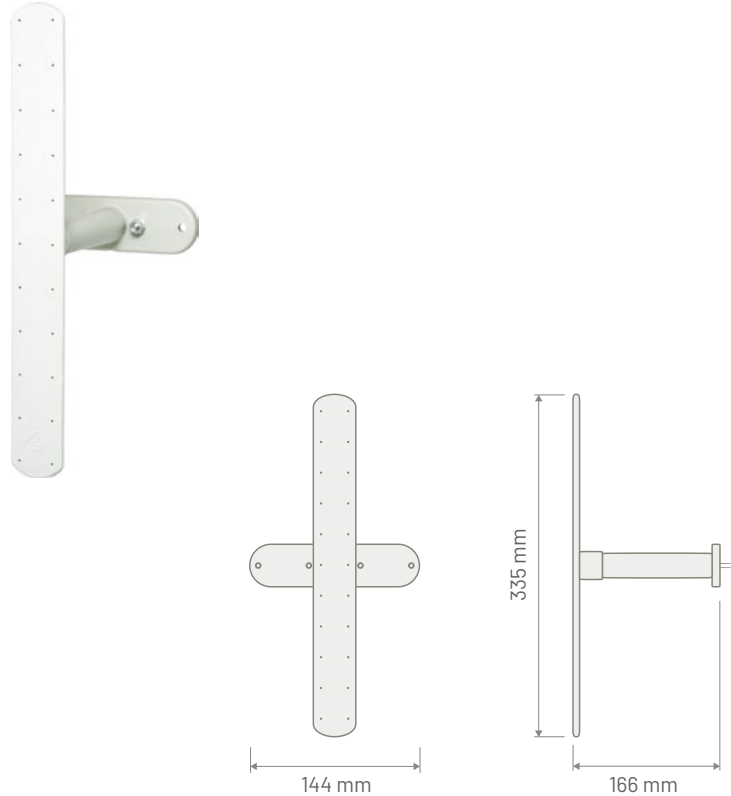
2

IMG	DESCRIPTION	VHF	UHF	ROD LENGTH (L) mm	ROD THREAD	ROD TYPE	BASE ANGLE (α)	IP	P/N BOX	MOQ	P/N MASTER BOX	MOQ
1	MONO VHF	•		380	M6	Antinoise	60°	68	7771002	1	7770076	25
2	MONO UHF		•	265	M6	Smooth	60°	68	7771003	1	7770077	25

TECHNICAL SPECIFICATION	VHF	UHF
FREQUENCY	146 - 174 MHz	430 - 470 MHz
ANTENNA CONNECTOR	FAKRA Male Green	FAKRA Male Green
ANTENNA CABLE TYPE	RG 174	RG 174
ANTENNA CABLE LENGTH	200 mm	200 mm
EXTENSION CABLE TYPE	RG 58	RG 58
EXTENSION CABLE LENGTH	5000 mm	5000 mm
EXTENSION CABLE CONNECTOR	FAKRA Female Green - FME Female	FAKRA Female Green - FME Female
IMPEDANCE	50 Ω	50 Ω
GAIN	-1 dBi	0 dBi
VSWR	1.5:1	2.1:1
MAX POWER	20 Watt	20 Watt
MOUNTING	On roof	
COACHWORK DRILLING	Square: 15 x 15 mm - Round: 19 mm	

BUILDING ANTENNAS

ARRAY FULL 4G



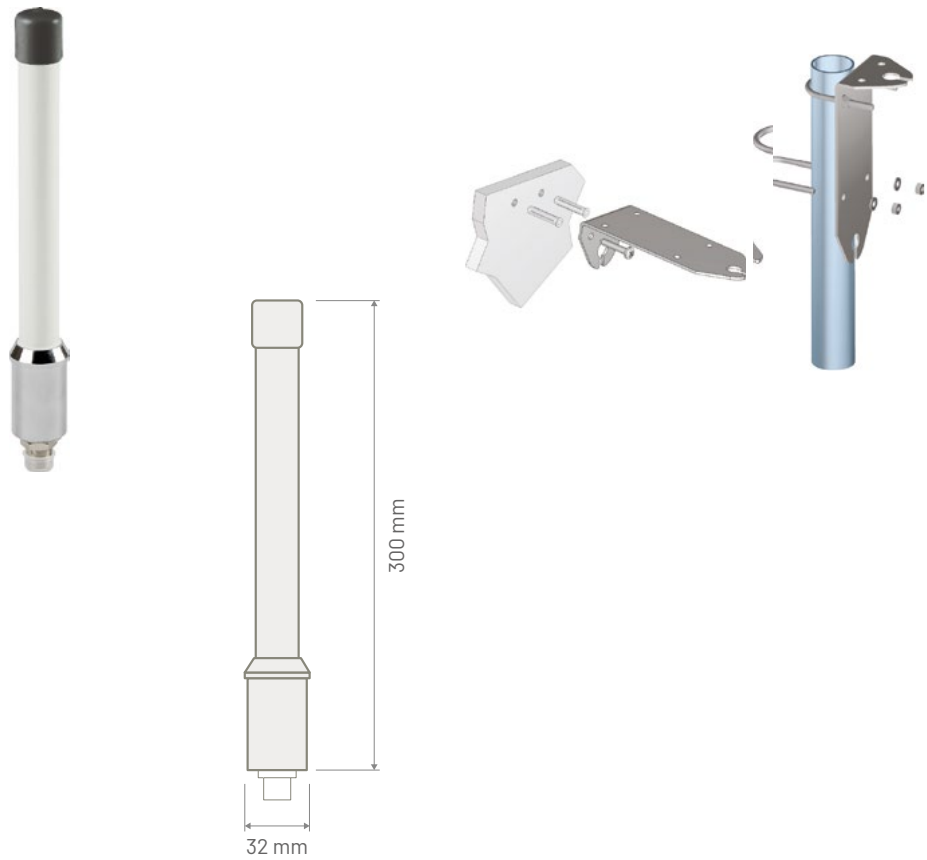
DESCRIPTION	2G 3G 4G	WIFI	CONNECTOR	CABLE TYPE	CABLE LENGTH mm	IP	P/N BOX	MOQ
ARRAY	•	•	SMA Male	Low Loss	5000	54	8610138	1
ARRAY	•	•	SMA Male	Low Loss	12000	54	8610142	1

TECHNICAL SPECIFICATION	2G – 3G – 4G – WIFI		
FREQUENCY	790-960 MHz	1710-2170 MHz	2400-2700 MHz
PEAK GAIN	5 dBi	6 dBi	6 dBi
VSWR	Min 1,2 – Max 2,2	Min 1 – Max 1,8	Min 1,2 – Max 1,8
MAX POWER	20 Watt	10 Watt	6 Watt
IMPEDANCE	50 Ω		
RADIATION	Omnidirectional		
POLARISATION	Linear - Vertical		
MOUNTING	On mast (special bracket included) / On wall (screw not included)		

NOTES

The special bracket is suitable for mast diameter between 25 to 42 mm.

FIBERGLASS FULL 4G



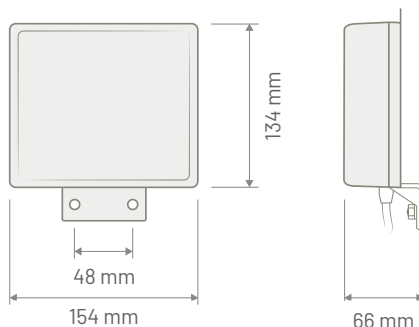
DESCRIPTION	2G 3G 4G	WIFI	CONNECTOR	CABLE TYPE	CABLE LENGTH mm	IP	P/N BOX	MOQ
FIBERGLASS	•	•	SMA Male	Low Loss	5000	54	8610156	1

TECHNICAL SPECIFICATION	2G – 3G – 4G – WIFI	
FREQUENCY	790-960 MHz	1710-2700 MHz
PEAK GAIN	2 dBi	3 dBi
VSWR	Min 1,4 – Max 1,8	Min 1,2 – Max 2,0
MAX POWER	25 Watt	
IMPEDANCE	50 Ω	
RADIATION	Omnidirectional	
POLARISATION	Vertical	
MOUNTING	On mast and on wall with special steel bracket (included)	

NOTES

The special bracket is suitable for mast diameter between 25 to 42 mm.

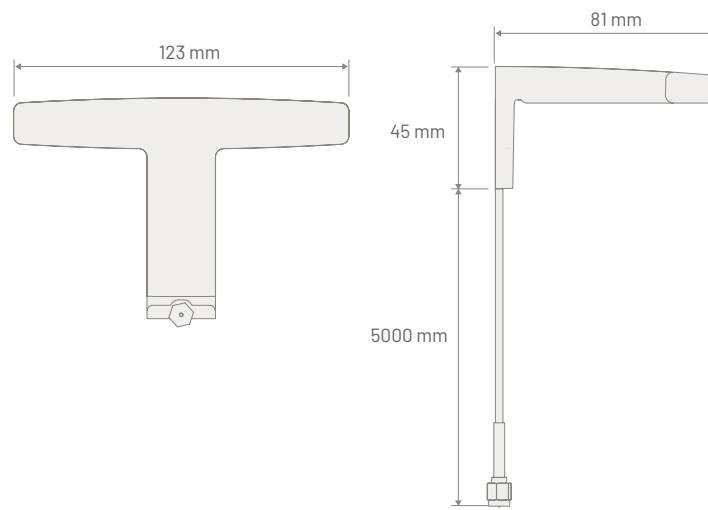
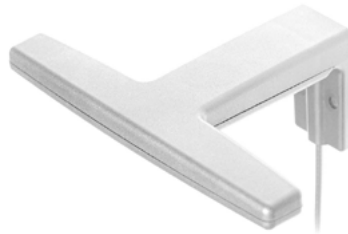
COMPACT FULL 4G



DESCRIPTION	2G 3G 4G	WIFI	CONNECTOR	CABLE TYPE	CABLE LENGTH mm	IP	P/N BOX	MOQ
COMPACT	•	•	SMA Male	Low Loss	5000	54	8610144	1
COMPACT	•	•	FME Female	Low Loss	5000	54	8610145	1

TECHNICAL SPECIFICATION	2G – 3G – 4G – WIFI	
FREQUENCY	790-960 MHz	1710-2700 MHz
PEAK GAIN	7 dBi	9 dBi
VSWR	Min 1 – Max 1,8	Min 1 – Max 1,8
MAX POWER	30 watt	10 Watt
IMPEDANCE	50 Ω	
RADIATION	Directional	
POLARISATION	Linear - Vertical	
MOUNTING	On mast and on wall with screw (not included)	

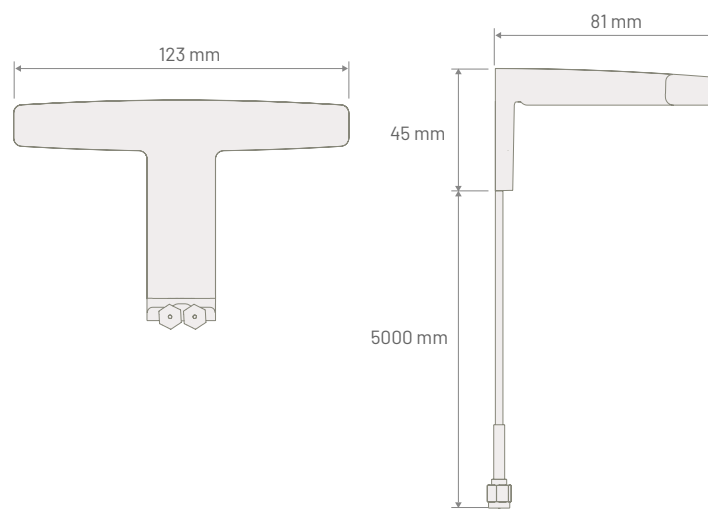
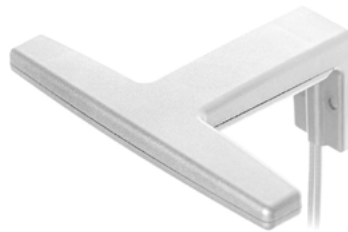
DIPOLE ANTENNA



DESCRIPTION	2G 3G 4G	CONNECTOR	CABLE TYPE	CABLE LENGTH mm	IP	P/N BOX	MOQ	P/N MASTER BOX	MOQ
DIPOLE	•	SMA Male	Low Loss	5000	67/69	8610180	1	8616001	10

TECHNICAL SPECIFICATION	2G – 3G – 4G								
FREQUENCY	698 – 960 MHz			1710 – 2170 MHz			2500 – 2700 MHz		
PEAK GAIN	1,6 dBi			3,1 dBi			2,6 dBi		
VSWR	2,7			2,1			2,7		
MAX POWER	25 Watt								
IMPEDANCE	50 Ω								
RADIATION	Omnidirectional								
POLARISATION	Linear								
MOUNTING	On wall with two screws (not included)								

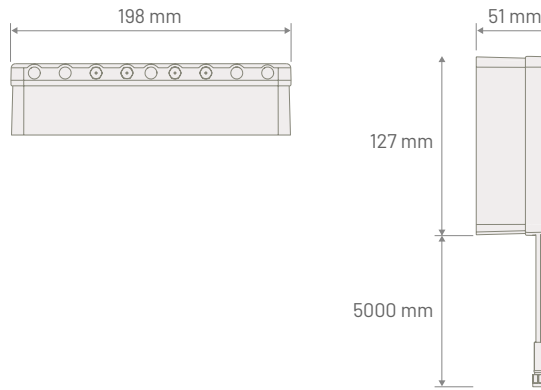
DIPOLE MIMO ANTENNA



DESCRIPTION	2G 3G 4G	CONNECTORS	CABLE TYPE	CABLE LENGTH mm	IP	P/N BOX	MOQ	P/N MASTER BOX	MOQ
DIPOLE MIMO	x2	SMA Male	Low Loss	5000	67/69	8610181	1	8616002	10

TECHNICAL SPECIFICATION	2G – 3G – 4G		
FREQUENCY	698 – 960 MHz	1710 – 2170 MHz	2500 – 2700 MHz
PEAK GAIN	Output 1: 0,7 dBi Output 2: 2,8 dBi	Output 1: 1,9 dBi Output 2: 2,7 dBi	Output 1: 0,9 dBi Output 2: 3,5 dBi
VSWR	Output 1: 3,2 Output 2: 6,5	Output 1: 2,1 Output 2: 2,7	Output 1: 2,6 Output 2: 2,7
MAX POWER	25 Watt		
IMPEDANCE	50 Ω		
RADIATION	Omnidirectional		
POLARISATION	Linear		
MOUNTING	On wall with two screws (not included)		

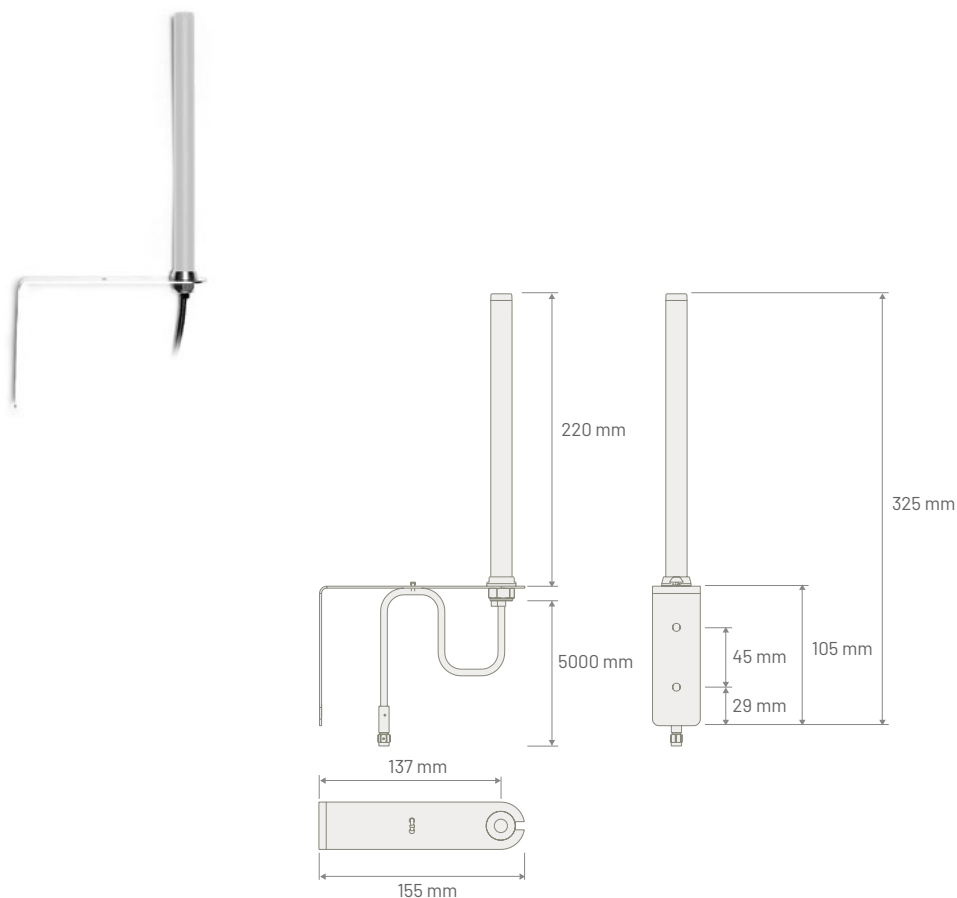
LOW PROFILE MIMO ANTENNA



DESCRIPTION	2G 3G 4G 5G	WIFI 2.4 GHz 5.0 GHz 6 GHz	IP	P/N BOX	MOQ	P/N MASTER BOX	MOQ
LOW PROFILE	x2	x2	67/69	8610182	1	8616003	10

TECHNICAL SPECIFICATION	2G – 3G – 4G – 5G				WIFI 2.4 GHz – 5.0 GHz – 6.0 GHz		
	FREQUENCY	617 – 960 MHz	1427 - 2690 MHz	3300 - 5000 MHz	5150 - 5925 MHz	2410 - 2490 MHz	4920 - 5925 MHz
PEAK GAIN	Output 1: 3,9 dBi Output 2: 3,4 dBi	Output 1: 5,8 dBi Output 2: 5,8 dBi	Output 1: 5,6 dBi Output 2: 5,3 dBi	Output 1: 6,6 dBi Output 2: 5,7 dBi	Output 1: 6,1 dBi Output 2: 2,7 dBi	Output 1: 4,5 dBi Output 2: 2,3 dBi	Output 1: 3,2 dBi Output 2: 3,2 dBi
VSWR	Output 1: 1,6 Output 2: 1,6	Output 1: 1,5 Output 2: 1,6	Output 1: 1,6 Output 2: 1,6	Output 1: 1,4 Output 2: 1,6	Output 1: 1,7 Output 2: 1,3	Output 1: 1,7 Output 2: 1,6	Output 1: 1,8 Output 2: 1,2
MAX POWER	25 Watt				25 Watt		
IMPEDANCE	50 Ω				50 Ω		
RADIATION	Omnidirectional				Omnidirectional		
POLARISATION	Linear				Linear		
CONNECTORS	SMA Male				SMA Male Reverse Polarity		
CABLES TYPE	DACAR 302				DACAR 302		
CABLES LENGHT	5000 mm				5000 mm		
MOUNTING	On wall with two screws (not included)						

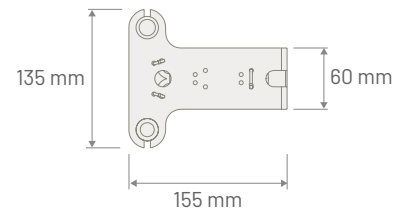
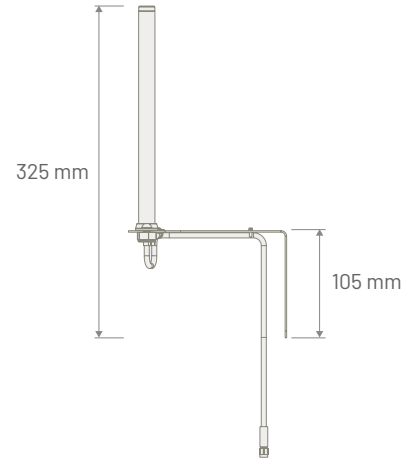
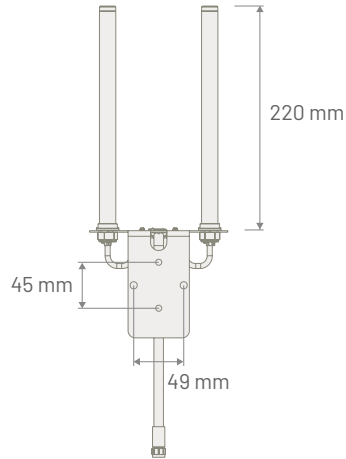
WIDEBAND ANTENNA



DESCRIPTION	2G 3G 4G 5G	CONNECTOR	CABLE TYPE	CABLE LENGTH mm	IP	P/N BOX	MOQ	P/N MASTER BOX	MOQ
WIDEBAND	•	SMA Male	Low Loss	5000	67/69	8610183	1	8616004	10

TECHNICAL SPECIFICATION	2G – 3G – 4G – 5G			
FREQUENCY	617 – 960 MHz	1427 - 2690 MHz	3300 - 5000 MHz	5150 - 5925
PEAK GAIN	3,9 dBi	4 dBi	3,9 dBi	3,9 dBi
VSWR	2,4	1,8	1,7	1,9
MAX POWER	35 Watt			
IMPEDANCE	50 Ω			
RADIATION	Omnidirectional			
POLARISATION	Linear			
MOUNTING	On wall with screw (not included)			
OPTIONAL	For on mast mounting the special bracket P/N 8300010 is available			

WIDEBAND MIMO ANTENNA

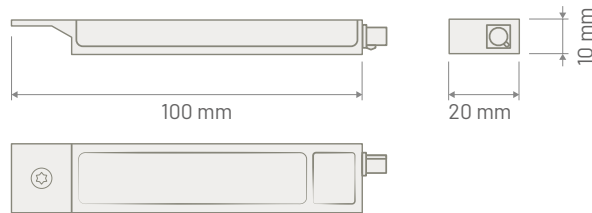


DESCRIPTION	2G 3G 4G 5G	CONNECTOR	CABLE TYPE	CABLE LENGTH mm	IP	P/N BOX	MOQ	P/N MASTER BOX	MOQ
WIDEBAND MIMO	x2	SMA Male	Low Loss	5000	67/69	8610184	1	8616005	10

TECHNICAL SPECIFICATION	2G – 3G – 4G – 5G			
FREQUENCY	617 – 960 MHz	1427 - 2690 MHz	3300 - 5000 MHz	5150 - 5925
PEAK GAIN	3,9 dBi	4 dBi	3,9 dBi	3,9 dBi
VSWR	2,4	1,8	1,7	1,9
MAX POWER	55 Watt			
IMPEDANCE	50 Ω			
RADIATION	Omnidirectional			
POLARISATION	Linear			
MOUNTING	On wall with screw (not included)			

SERVICE BOX RANGE

DAB & PLAY ACTIVE



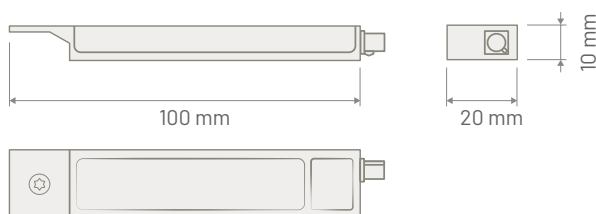
DESCRIPTION	CUSTOM	FM / DAB	IP	P/N BOX	MOQ	P/N MASTER BOX	MOQ
ACTIVE DAB & PLAY	Seat Leon (5F) Skoda Fabia (NJ) and Octavia (5E) Volkswagen Golf 6 and 7 series, Tiguan (5N), Touran (5T)	•	52	7590007	1	7560417	25
ACTIVE DAB & PLAY	Volkswagen Passat B7 and B8	•	52	7590009	1	7560418	25

TECHNICAL SPECIFICATION	FM / DAB
FREQUENCY	FM: 87,5 - 108 MHz / DAB: 174 - 240 MHz
CONNECTOR	DOUBLE FAKRA Male Black
EXTENSION CABLE TYPE	RG 174
EXTENSION CABLE LENGTH	6500 mm
EXTENSION CABLE CONNECTOR	DOUBLE FAKRA Female Black and SMB Female
POWER SUPPLY	8,5 ÷ 12 Volt phantom
CONSUMPTION	50 mA max
IMPEDANCE	50 Ω
GAIN	FM: 6 dB / DAB: 19 dB
VSWR	< 2:1
MOUNTING	It replaces the original FM amplifier to enable the DAB antenna integrated in the factory rear or side glass

NOTES

The DAB & PLAY amplifier works with selected Volkswagen Group vehicles equipped with a factory-prepared DAB antenna integrated into the original window glass.

DAB & PLAY PASSIVE BYPASS



DESCRIPTION	CUSTOM	FM / DAB	IP	P/N BOX	MOQ	P/N MASTER BOX	MOQ
PASSIVE BYPASS DAB & PLAY	Volkswagen, Seat and Skoda with prepared on glass original DAB antenna	•	52	7590008	1	7560419	25
PASSIVE BYPASS DAB & PLAY	Volkswagen Golf 6 and 7	•	52	7590013	1	7560420	25

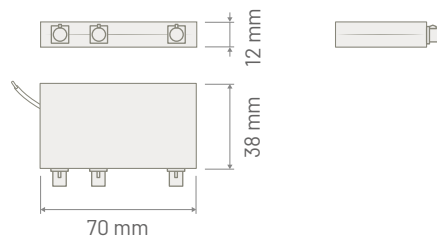
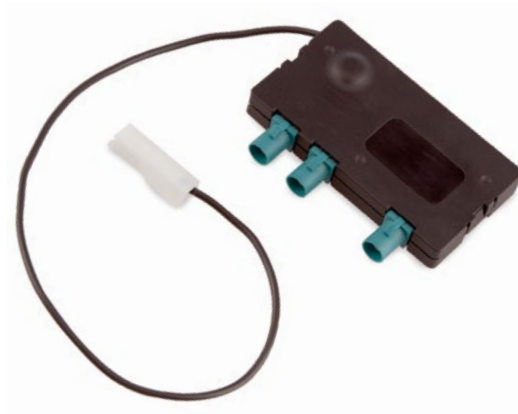
TECHNICAL SPECIFICATION	FM / DAB
FREQUENCY	FM: 87,5 - 108 MHz / DAB: 174 - 240 MHz
CONNECTOR	FAKRA Male Waterblue
IMPEDANCE	50 Ω
MOUNTING	It replaces the original FM amplifier to enable the DAB antenna integrated in the factory rear or side glass

NOTES

P/N 7590008 is only suitable for car radios with a hybrid tuner (FM and DAB with a single antenna connector) or in combination with the 7561004 active splitter and cable kit.

P/N 7590013 is suitable for any application with an original VW radio or aftermarket radio with Fakra connectors; complete with active splitter and cables. The DAB & PLAY passive bypass only works on VW vehicles with a DAB antenna integrated in the original glass. Contact your dealer to check if your glass is prepared.

DAB ACTIVE SPLITTER



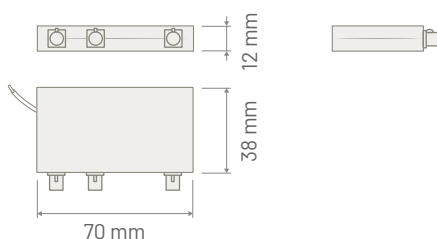
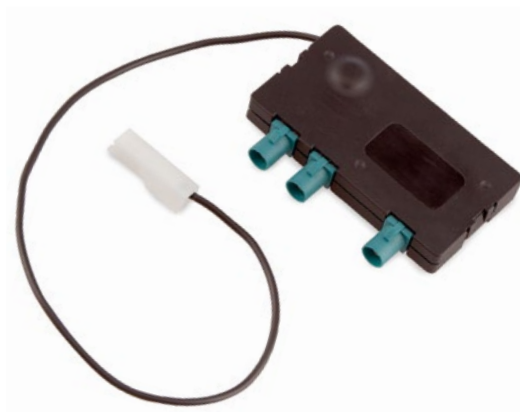
DESCRIPTION	AM / FM DAB	ADAPTER CABLE ANTENNA IN	ADAPTER CABLE AM / FM OUT	ADAPTER CABLE DAB OUT	ADAPTER CABLE LENGTH mm	IP	P/N BOX	MOQ	P/N MASTER BOX	MOQ	P/N BULK	MOQ
ACTIVE SPLITTER	•	-	-	-	-	40	7561004	1	7560421	25	7132092	50
ACTIVE SPLITTER KIT DIN	•	DIN Female	DIN Male	SMB Female 90°	500	40	7562030	1	7560422	25	7560390	50

TECHNICAL SPECIFICATION	AM / FM - DAB
FREQUENCY	AM/FM: 525 - 1710 kHz / 87,5 - 108 MHz / DAB: 174 - 240 MHz
CONNECTOR	FAKRA Male Waterblue for IN and OUT
POWER SUPPLY	12 Volt dedicated
CONSUMPTION	110 mA
IMPEDANCE	50 Ω
GAIN	AM: 25 dB / FM: 12 dB / DAB: 20 dB
VSWR	FM: 3:1 / DAB: 2.5:1
MOUNTING	Inside the vehicle with double-sided tape or plastic ties

NOTES

AM/FM/DAB Splitter allows to recover the DAB signals from an AM/FM passive antenna ready for digital radio. The AM/FM/DAB Active Splitter works only with AM/FM passive antennas prepared to receive the DAB signals. The AM/FM/DAB Active Splitter is not suitable for active antenna systems.

DAB PASSIVE SPLITTER



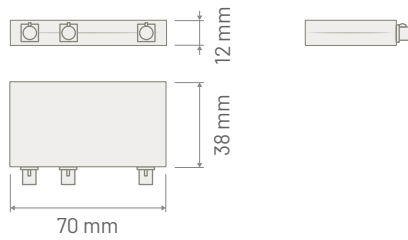
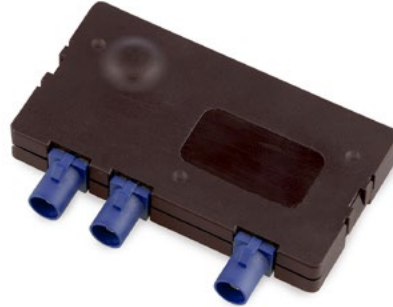
DESCRIPTION	AM / FM DAB	ADAPTER CABLE ANTENNA IN	ADAPTER CABLE AM / FM OUT	ADAPTER CABLE DAB OUT	ADAPTER CABLE LENGTH mm	IP	P/N BOX	MOQ	P/N MASTER BOX	MOQ	P/N BULK	MOQ
PASSIVE SPLITTER	•	-	-	-	-	40	7561006	1	7560423	25	7560426	50
PASSIVE SPLITTER KIT DIN	•	DIN Female	DIN Male	SMB Female 90°	500	40	7561007	1	7560424	25	7560425	50

TECHNICAL SPECIFICATION	AM / FM - DAB
FREQUENCY	AM/FM: 525 - 1710 kHz / 87,5 - 108 MHz / DAB: 174 - 240 MHz
CONNECTOR	FAKRA Male Waterblue for IN and OUT
IMPEDANCE	50 Ω
GAIN	-2 dB
VSWR	FM: 2:1 / DAB: 2:1
MOUNTING	Inside the vehicle with double-sided tape or plastic ties

NOTES

AM/FM/DAB Passive Splitter allows to recover the DAB signals from an AM/FM active or passive antenna ready for digital radio. The AM/FM/DAB Passive Splitter works only with AM/FM active or passive antennas ready to receive the DAB signals. The AM/FM/DAB Passive Splitter is suitable for active antenna with 12 Volt phantom supply.

GNSS PASSIVE SPLITTER



DESCRIPTION	GNSS	IP	P/N BOX	MOQ	P/N MASTER BOX	MOQ	P/N BULK	MOQ
PASSIVE SPLITTER	•	40	7561021	1	7566010	25	7560438	50

TECHNICAL SPECIFICATION	GNSS
FREQUENCY	1559 – 1610 MHz
CONNECTOR	FAKRA Male BLUE
BYPASS POWER SUPPLY FOR GNSS ANTENNA	5 Volt
IMPEDANCE	50 Ω
GAIN	-4,5 dB
VSWR	2:1
MOUNTING	Inside the vehicle with double-sided tape or plastic ties

ADAPTERS AND CABLES

ADAPTERS

FAKRA ADAPTERS

ANTENNA SIDE	DEVICE SIDE	CABLE TYPE	CABLE LENGTH mm	P/N BOX	MOQ	P/N MASTER BOX	MOQ	P/N BULK	MOQ
FAKRA Female White	FAKRA Female Waterblue	RG174	1200	7581162	1	7584116	25	7584117	50
FAKRA Female Waterblue	FAKRA Male Waterblue	RG174	1200	7581164	1	7584118	25	7584119	50
FAKRA Male Waterblue	SMA Male	RG174	150	7581071	1	7584128	25	7584129	50
FAKRA Male Waterblue	SMB Female 90°	RG174	150	7581072	1	7584130	25	7584131	50
FAKRA Fem. Waterblue	ISO Female	RG174	500	7132078	1	7130056	25	7130057	50
FAKRA Fem. Waterblue	DIN Male	RG 58	500	7132079	1	7584132	25	7584133	50
FAKRA Fem. Waterblue	FAKRA Male Waterblue	RG 174	500	7132081	1	7584134	25	7584135	50
FAKRA Fem. Waterblue	SMB Female 90°	RG 174	500	7132082	1	7130058	25	7130059	50
FAKRA Fem. Waterblue	SMA Male	RG 174	500	7132083	1	7584136	25	7584137	50
FAKRA Fem. Waterblue	FAKRA Female Waterblue	RG 174	500	7132084	1	7584138	25	7584139	50
FAKRA Fem. Waterblue	DIN Female	RG 58	500	7132085	1	7584140	25	7584141	50

NOTES

7581162: FCA 2010 > / PSA 2010 > FORD > 2019.
 7581164: Renault (AM/FM and DAB cables) 2009 > / Nissan (DAB cable) 2012 >.

SMB ADAPTERS

ANTENNA CABLE SIDE	DEVICE SIDE	CABLE TYPE	CABLE LENGTH mm	P/N BOX	MOQ	P/N MASTER BOX	MOQ	P/N BULK	MOQ
SMB Male	SMA Male	RG174	120	7581109	1	7584120	25	7584121	50
SMB Male	FAKRA Female	RG174	200	7581123	1	7584124	25	7584125	50

NOTES

7581123: Blue, Black and Waterblue housing included in the package.

ADAPTERS

FME ADAPTERS

ANTENNA SIDE	DEVICE SIDE	CABLE TYPE	CABLE LENGTH mm	P/N BOX	MOQ	P/N MASTER BOX	MOQ	P/N BULK	MOQ
FME Male	FAKRA Female Bordeaux	RG174	200	7581122	1	7584126	25	7584127	50
FME Male	BNC - Compact adapter	--	--	7131003	1	7130062	25	7130063	50
FME Male	MINI UHF - Compact adapter	--	--	7131005	1	7130064	25	7130065	50
FME Male	TNC - Compact adapter	--	--	7131006	1	7130066	25	7130067	50
FME Male	SMA Male - Compact adapter	--	--	7131009	1	7130068	25	7130069	50
FME Male	FME Male - Compact adapter	--	--	7131011	1	7130070	25	7130071	50

DAB PHANTOM FEEDING ADAPTER

ORIGINAL CABLE SIDE	HEAD UNIT SIDE	POWER SUPPLY	CABLE LENGTH mm	P/N BOX	MOQ	P/N MASTER BOX	MOQ	P/N BULK	MOQ
SMB Male	SMB Female	12 Volt	250	7581134	1	7584142	25	7584143	50

NOTES

FAKRA housing included in the package.

AM/FM CONNECTORS

DESCRIPTION	P/N BOX	MOQ	P/N MASTER BOX	MOQ	P/N BULK	MOQ
AM/FM CONNECTOR ADAPTER FROM DIN MALE TO ISO MALE	7420003	1	7130060	25	7130061	50

EXTENSION CABLES

EXTENSION CABLES FOR AM/FM WITH PHANTOM FEEDING

ANTENNA SIDE	DEVICE SIDE	CABLE TYPE	CABLE LENGTH mm	P/N BOX	MOQ	P/N MASTER BOX	MOQ	P/N BULK	MOQ
FAKRA Female White	DIN Male	RG58	3000	7561011	1	7560410	25	7560411	50
FAKRA Female White	DIN Male	RG58	5000	7561012	1	7560412	25	7560413	50
FAKRA Female White	DIN Male	RG58	7000	7561013	1	7560414	25	7560273	50
FAKRA Female White	DIN Male	RG58	9000	7561014	1	7560415	25	7560274	50
FAKRA Female White	DIN Male	RG58	12000	7561015	1	7560416	25	7560275	50

EXTENSION CABLES FOR AM/FM WITH ADDITIONAL CABLE FOR DEDICATED POWER SUPPLY

ANTENNA SIDE	DEVICE SIDE	CABLE TYPE	CABLE LENGTH mm	P/N BOX	MOQ	P/N MASTER BOX	MOQ	P/N BULK	MOQ
FAKRA Fem. White	DIN Male	75 Ω	3000	7581183	1	7584045	25	7584046	50
FAKRA Fem. White	DIN Male	75 Ω	5000	7581185	1	7584047	25	7584048	50
FAKRA Fem. White	DIN Male	75 Ω	7000	7581187	1	7584049	25	7584050	50
FAKRA Fem. Waterblue	FAKRA Fem. Waterblue	75 Ω	3000	7581193	1	7584051	25	7584052	50
FAKRA Fem. Waterblue	FAKRA Fem. Waterblue	75 Ω	5000	7581195	1	7584053	25	7584054	50
FAKRA Fem. Waterblue	FAKRA Fem. Waterblue	75 Ω	7000	7581197	1	7584055	25	7584056	50

FAKRA / SMB EXTENSION CABLES

ANTENNA SIDE	DEVICE SIDE	CABLE TYPE	CABLE LENGTH mm	P/N BOX	MOQ	P/N MASTER BOX	MOQ	P/N BULK	MOQ
FAKRA Female	SMB Female	RG174	1000	7581010	1	7584065	25	7584066	50
FAKRA Female	SMB Female	RG174	3000	7581011	1	7584067	25	7584068	50
FAKRA Female	SMB Female	RG174	5000	7581012	1	7584069	25	7584070	50
FAKRA Female	SMB Female	RG174	7000	7581013	1	7584071	25	7584072	50
FAKRA Female Waterblue	SMB Female	RG174	3500	7581147	1	7584079	25	7584080	50
FAKRA Female Waterblue	SMB Female	RG174	5000	7581148	1	7584081	25	7584082	50

NOTES

7581010, 7581011, 7581012, 7581013: Housing Black, Blue and Waterblue for FAKRA Female Connector included in the package.
 7581147, 7581148: WATERPROOF FAKRA Connector.

EXTENSION CABLES

FAKRA F / FAKRA F EXTENSION CABLES

ANTENNA SIDE	DEVICE SIDE	CABLE TYPE	CABLE LENGTH mm	P/N BOX	MOQ	P/N MASTER BOX	MOQ	P/N BULK	MOQ
FAKRA Female Waterblue	FAKRA Female Waterblue	RG174	1000	7582287	1	7584083	25	7584084	50
FAKRA Female Waterblue	FAKRA Female Waterblue	RG174	3000	7582275	1	7584085	25	7584086	50
FAKRA Female Waterblue	FAKRA Female Waterblue	RG174	5000	7582276	1	7584087	25	7584088	50
FAKRA Female Waterblue	FAKRA Female Waterblue	RG174	7000	7582277	1	7584089	25	7584090	50
FAKRA Female Waterblue	FAKRA Female Waterblue	RG58	1000	7582289	1	7584091	25	7584092	50
FAKRA Female Waterblue	FAKRA Female Waterblue	RG58	3000	7582281	1	7584093	25	7584094	50
FAKRA Female Waterblue	FAKRA Female Waterblue	RG58	5000	7582282	1	7584095	25	7584096	50
FAKRA Female Waterblue	FAKRA Female Waterblue	RG58	7000	7582283	1	7584097	25	7584098	50

FAKRA F / FAKRA M EXTENSION CABLES

ANTENNA SIDE	DEVICE SIDE	CABLE TYPE	CABLE LENGTH mm	P/N BOX	MOQ	P/N MASTER BOX	MOQ	P/N BULK	MOQ
FAKRA Female Waterblue	FAKRA Male Waterblue	RG174	1000	7582288	1	7584099	25	7584100	50
FAKRA Female Waterblue	FAKRA Male Waterblue	RG174	3000	7582278	1	7584102	25	7584103	50
FAKRA Female Waterblue	FAKRA Male Waterblue	RG174	5000	7582279	1	7584104	25	7584105	50
FAKRA Female Waterblue	FAKRA Male Waterblue	RG174	7000	7582280	1	7584106	25	7584107	50
FAKRA Female Waterblue	FAKRA Male Waterblue	RG58	1000	7582290	1	7584108	25	7584109	50
FAKRA Female Waterblue	FAKRA Male Waterblue	RG58	3000	7582284	1	7584110	25	7584111	50
FAKRA Female Waterblue	FAKRA Male Waterblue	RG58	5000	7582285	1	7584112	25	7584113	50
FAKRA Female Waterblue	FAKRA Male Waterblue	RG58	7000	7582286	1	7584114	25	7584115	50

FAKRA F / FME F EXTENSION CABLES

ANTENNA SIDE	DEVICE SIDE	CABLE TYPE	CABLE LENGTH mm	P/N BOX	MOQ	P/N MASTER BOX	MOQ	P/N BULK	MOQ
FAKRA Female	FME Female	RG58	3500	7581057	1	7584144	25	7584145	50
FAKRA Female	FME Female	RG58	5000	7581116	1	7584146	25	7584147	50
FAKRA Female	FME Female	RG58	7000	7581179	1	7584148	25	7584149	50

NOTES

Black, White, Bordeaux and Green housing for FAKRA Female connector included in the package.

LOW LOSS EXTENSION CABLES

FAKRA F / SMA M LOW LOSS EXTENSION CABLES

ANTENNA SIDE	DEVICE SIDE	CABLE TYPE	CABLE LENGTH mm	P/N BOX	MOQ	P/N MASTER BOX	MOQ	P/N BULK	MOQ
FAKRA Female Violet	SMA Male	RG58 Low Loss	3000	7581170	1	7584160	25	7584161	50
FAKRA Female Violet	SMA Male	RG58 Low Loss	5000	7581171	1	7584162	25	7584163	50
FAKRA Female Violet	SMA Male	RG58 Low Loss	7000	7581172	1	7584164	25	7584165	50


NOTES

RG58 Low Loss special cables for high frequencies. Bordeaux and Waterblue housings for FAKRA Female connectors included.

SMA LOW LOSS EXTENSION CABLES

ANTENNA CABLE SIDE	DEVICE SIDE	CABLE TYPE	CABLE LENGTH mm	P/N BOX	MOQ	P/N MASTER BOX	MOQ	P/N BULK	MOQ
SMA Female	SMA Male - Reverse polarity	Low Loss	5000	7131047	1	7130076	25	7130077	50
SMA Female	SMA Male	Low Loss	2000	8510004	1	8510081	25	8510082	50
SMA Female	SMA Male	Low Loss	4000	8510050	1	8510083	25	8510084	50
SMA Female	SMA Male	Low Loss	5000	8510029	1	8510085	25	8510086	50
SMA Female	SMA Male	Low Loss	8000	8510051	1	8510087	25	8510088	50
SMA Female	SMA Male	Low Loss	10000	8510064	1	8510089	25	8510090	50

TABLE OF CONNECTORS

FAKRA	COLOUR	CODE KEY	TYPICAL APPLICATION
 FAKRA Male	Black	A	AM/FM - DAB
	White	B	AM/FM
 FAKRA Female	Blue	C	GPS - GNSS
	Bordeaux	D	2G/3G/4G
	Green	E	TV - UHF - VHF
	Brown	F	DAB (NISSAN/RENAULT)
	Grey	G	DAB (FCA)
	Violet	H	WIFI
	Waterblue	Z	UNIVERSAL





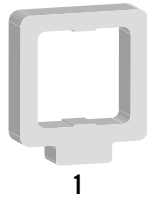
DIN	FME	SMA	SMB
 DIN Female	 FME Female	 SMA Female	 SMB Female
 DIN Male	 FME Male	 SMA Male	 SMB Female 90°
		 SMA Male RP (Reverse Polarity)	 SMB Male

TABLE OF ADAPTERS

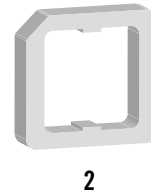
DIN ADAPTERS	FME ADAPTERS	FME ADAPTERS
 DIN Male / ISO Male	 FME Male / BNC	 FME Male / SMA Male
	 FME Male / Mini UHF	 FME Male / FME Male
	 FME Male / TNC	

ACCESSORIES AND SPARE PARTS

HOLE ADAPTERS FOR SHARK 2



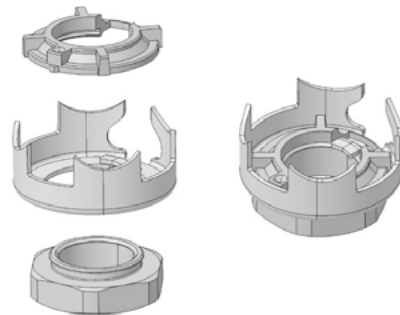
1



2



3

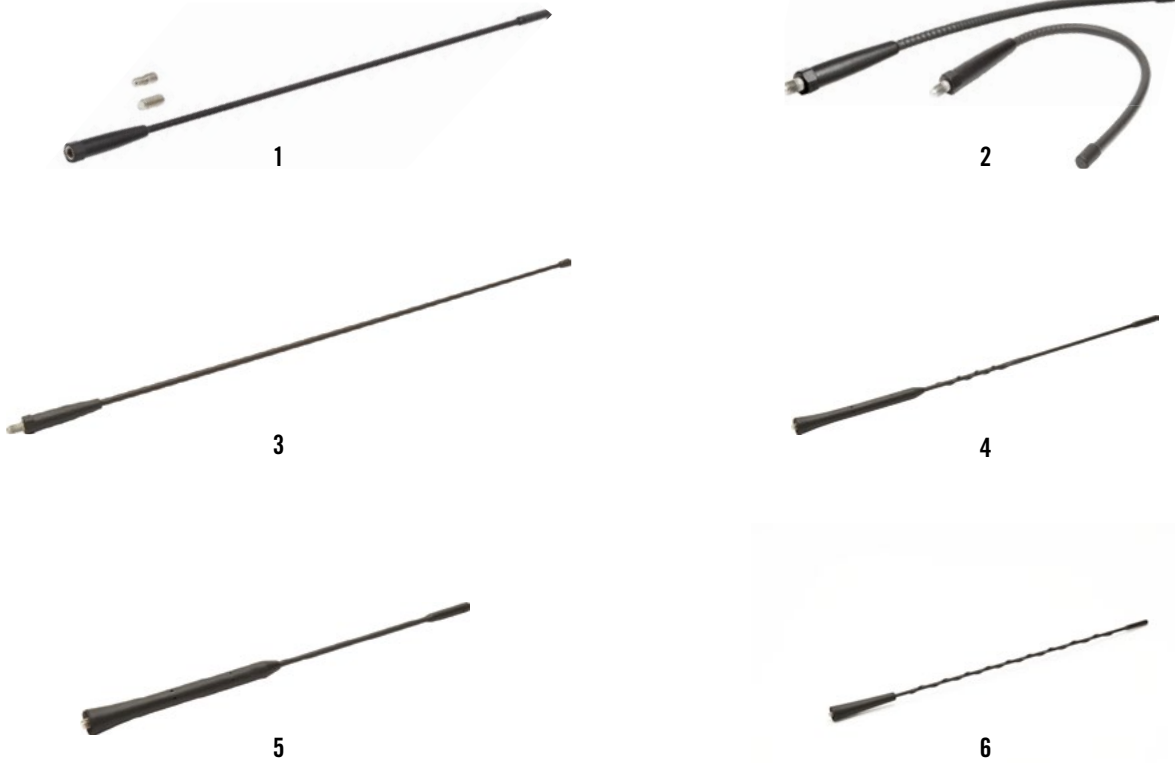


IMG	DESCRIPTION	CUSTOM	P/N BOX	MOQ
1	HOLE ADAPTER	FCA 2012 >	7131050	1
2	HOLE ADAPTER	Opel 2009 >	7131052	1
3	HOLE ADAPTER	Volkswagen Mib Platform 2012 >	7131053	1

NOTES

Only for Shark 2 antennas.

RODS FOR MULTIFUNCTION ANTENNAS



IMG	DESCRIPTION	TYPE	LENGTH mm	THREAD	ROD TYPE	APPLICATION	P/N BOX	MOQ	P/N MASTER BOX	MOQ
1	ROD FOR MULTIFUNCTION ANTENNAS	Fiberglass	400	M6	Smooth	AM/FM - DAB	7551045	1	7550196	30
2	ROD FOR MULTIFUNCTION ANTENNAS	Flexi	220	M6	Smooth	AM/FM - DAB	7551046	1	7550197	30
3	ROD FOR MULTIFUNCTION ANTENNAS	Fiberglass	400	M6	Smooth	AM/FM - DAB	7552012	1	7550192	30
4	ROD FOR MULTIFUNCTION ANTENNAS	16 V	380	M6	Tunable	VHF - 2G	7551042	1	7550199	30
5	ROD FOR MULTIFUNCTION ANTENNAS	16 V	260	M6	Smooth	UHF - 2G	7551041	1	7550200	30
6	ROD FOR MULTIFUNCTIONAL ANTENNAS	16 V	300	M5	Antinoise	AM/FM - DAB	7551048	1	7556001	30
6	ROD FOR MULTIFUNCTIONAL ANTENNAS	16 V	200	M5	Antinoise	AM/FM - DAB	7551049	1	7556002	30

NOTES

P/N 7551045 Package includes two adapters to change the M6 Female thread to M5 Male or to M6 Male.
P/N 7551046 Heavy duty and high flexibility.

AUDIO AND VIDEO

RADIO



DESCRIPTION		P/N MASTER BOX	MOQ
RADIO ES 6180 BT		7137567	5
TECHNICAL SPECIFICATION	EEPROM - BLUETOOTH - MECHLESS		
TUNER	AM/FM RDS World Tuner		
AUDIO SOURCE	USB - SD CARD - A2DP - AUX IN		
BLUETOOTH	Hands Free (HFP) - Audio Streaming (A2DP)		
MEDIA	MP3 - WMA		
DISPLAY	LCD with WHITE segments		
KEY & KNOB	RED color light		
FRONT PANEL	Detachable		
AUDIO POWER	4 x 40 Watt max		
POWER SUPPLY	12 Volt		
MAIN CONNECTOR	ISO built in		
ANTENNA CONNECTOR	DIN Female built in		
DIMENSIONS	1 DIN standard Short body		
CHARACTERISTICS			

RADIO



DESCRIPTION	P/N MASTER BOX	MOQ
RADIO ES 6180 DAB	7137574	5

TECHNICAL SPECIFICATION	EEPROM - DAB TUNER - BLUETOOTH - MECHLESS
TUNER	AM/FM RDS World Tuner - DAB Tuner
AUDIO SOURCE	USB - MICRO SD - A2DP - AUX IN
BLUETOOTH	Hands Free (HFP) - Audio Streaming (A2DP/AVRCP)
MEDIA	MP3 - WMA - FLAC
DISPLAY	DOT Matrix WHITE
KEY & KNOB	RED color light
FRONT PANEL	Detachable
AUDIO POWER	4 x 40 Watt max
POWER SUPPLY	12 Volt
MAIN CONNECTOR	ISO built in
ANTENNA CONNECTOR	AM/FM: DIN Female - DAB: SMB Male
DIMENSIONS	1 DIN standard Short body

CHARACTERISTICS



RADIO



DESCRIPTION	IP	P/N MASTER BOX	MOQ
RADIO DP 6400 DAB 12 AND 24 V POWER SUPPLY WITH TIMER	54	7137594	5

TECHNICAL SPECIFICATION	EEPROM - DAB TUNER - BLUETOOTH - MECHLESS
TUNER	AM/FM RDS World Tuner - DAB Tuner
AUDIO SOURCE	USB - A2DP - AUX IN
BLUETOOTH	Hands Free (HFP) - Audio Streaming (A2DP/AVRCP)
MEDIA	MP3 - WMA
DISPLAY	LCD with WHITE illumination and BLACK segments
KEY & KNOB	RED color light
FRONT PANEL	Fixed panel
AUDIO POWER	4 x 40 Watt max
POWER SUPPLY	12/24 Volt
MAIN CONNECTOR	ISO built in
ANTENNA CONNECTOR	AM/FM: DIN Female - DAB: SMB Male
DIMENSIONS	1 DIN standard Short body

NOTES AND CHARACTERISTICS

Dust & Spray resistant for heavy duty installation.

Works with 12V and 24V vehicle systems power supply without adapters.

Timer function allows to choose a predetermined period for radio working without the switched power supply.



SPEAKERS



1



2



3

IMG	DESCRIPTION	CONE	BASKET	P/N BOX	MOQ	P/N MASTER BOX	MOQ
1	2 WAY COAXIAL EL 87	Paper	Steel	7697320	1 pair	7693001	10 pair
2	2 WAY COAXIAL EL 100	Paper	Steel	7697321	1 pair	7693002	10 pair
3	2 WAY COAXIAL EL 130	Paper	Steel	7697322	1 pair	7693003	10 pair

TECHNICAL SPECIFICATION	7697320 2 WAY COAXIAL EL 87	7697321 2 WAY COAXIAL EL 100	7697322 2 WAY COAXIAL EL 130
DIMENSIONS	87 mm	100 mm	130 mm
DEPTH	42 mm max	50 mm max	46 mm max
POWER	Nominal: 35 Watt Max: 50 Watt	Nominal: 35 Watt - Max: 75 Watt	Nominal: 40 Watt - Max: 80 Watt
EFFICIENCY	87 dB	88 dB	90 dB
FREQUENCY RESPONSE	100 ÷ 20000 Hz	90 ÷ 16000 Hz	80 ÷ 16000 Hz
IMPEDANCE	4 Ω	4 Ω	4 Ω

SPEAKERS



1



2



3

IMG	DESCRIPTION	CONE	BASKET	P/N BOX	MOQ	P/N MASTER BOX	MOQ
1	2 WAY COAXIAL EL 165	Paper	Steel	7697323	1 pair	7693004	10 pair
2	2 WAY COAXIAL EL 4X6	Paper	Steel	7697330	1 pair	7693005	10 pair
3	2 WAY COAXIAL ML 100	Polycarbonate	Steel	7697332	1 pair	7693006	10 pair

TECHNICAL SPECIFICATION	7697323 2 WAY COAXIAL EL 165	7697330 2 WAY COAXIAL EL 4X6	7697332 2 WAY COAXIAL ML 100
DIMENSIONS	165 mm	90 x 150 mm	100 mm
DEPTH	57 mm max	45 mm max	42 mm max
POWER	Nominal: 50 Watt - Max: 100 Watt	Nominal: 25 Watt - Max: 50 Watt	Nominal: 40 Watt - Max: 80 Watt
EFFICIENCY	92 dB	91 dB	91 dB
FREQUENCY RESPONSE	70 ÷ 16000 Hz	60 ÷ 20000 Hz	90 ÷ 20000 Hz
IMPEDANCE	4 Ω	4 Ω	4 Ω

SPEAKER GRILLS



1



2



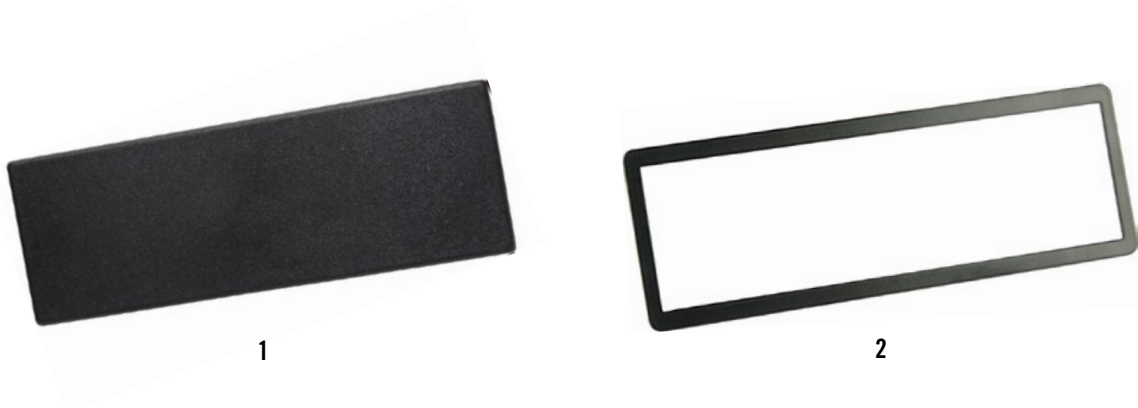
3

IMG	DESCRIPTION	DIMENSIONS Ø mm	FRAME MATERIAL	GRID MATERIAL	P/N BOX	MOQ	P/N MASTER BOX	MOQ
1	SQUARE GRILL WITH VISIBLE SCREWS	100	Plastic	Metal	7122003	1 pair	7120001	10 pair
2	ROUND GRILL WITH VISIBLE SCREWS	100	Plastic	Metal	7122018	1 pair	7120002	10 pair
	ROUND GRILL WITH VISIBLE SCREWS	130	Plastic	Metal	7122022	1 pair	7120003	10 pair
3	BOX FOR SPEAKER	100	Plastic	Metal	7122026	1 pair	7120004	10 pair

NOTES

P/N 7122026 allows installation of 100 mm speakers on the dashboard, ceiling, or other locations within the vehicle.

MOUNTING ACCESSORIES



IMG	DESCRIPTION	DIMENSIONS mm	FRAME MATERIAL	GRID MATERIAL	P/N BULK	MOQ
1	1 DIN COVER	189 x 66	Plastic	Metal	7122017	50
	2 DIN COVER	189 x 110	Plastic	Metal	7122138	50
2	BLACK FRAME FOR 1 DIN RADIO WITH ROUNDED PROFILE	Int. 1 DIN standard Ext. 195 x 68 max	Plastic	Metal	7122025	50

NOTES

P/N 7122017 - 7122138 allow to cover the radio installation space.
 P/N 7122025 enables adaptation of the radio housing to the 1 DIN standard.

MONITORS



1



2



3

IMG	DESCRIPTION	P/N BOX	MOQ
1	MON-7012 LCD - TFT DISPLAY	7137730	1
2	MON-7012 Q LCD - TFT DISPLAY - MULTIVISION SYSTEM	7137731	1
3	MON-7010 Q AHD - LCD - TFT DISPLAY - MULTIVISION SYSTEM - DIGITAL VIDEO RECORDING (DVR)	7137780	1

TECHNICAL SPECIFICATION	7137730 7012	7137731 7012 Q	7137780 7010 Q AHD
DISPLAY SIZE	7 "	7 "	7 "
VIDEO SYSTEM	PAL/NTSC automatically selected	PAL/NTSC automatically selected	PAL/NTSC automatically selected
SCREEN RATIO	16:9	16:9	16:9
RESOLUTION	800 x 480 pixel	800 x 480 pixel	1024 x 600 pixel
IMAGE DISPLAY	Single	Single and multivision support	Single and multivision support
CONTRAST	500:1	500:1	800:1
REAR VIDEO INPUTS	3	4	4
FRONT AUDIO/VIDEO INPUTS	1	1	1
SETTING MENU	OSM Multilingual	OSM Multilingual	OSM Multilingual
POWER SUPPLY	12/24 Volt	12/24 Volt	12/24 Volt
CAMERA CONNECTOR TYPE	4 PIN	4 PIN	4 PIN
DIMENSIONS (WxHxD)	180x121x23 mm	180x121x23 mm	180x121x24 mm

NOTES

P/N 7137731 Multivision system supports up to 4 cameras at the same time.
 P/N 7137780 Multivision system and Digital Video Recording (DVR) work with up to 4 cameras at the same time.

CAMERAS



1



2



3

IMG	DESCRIPTION	RESOLUTION	SENSOR TYPE	VIEWING ANGLE	NIGHT VISION	IP	P/N BOX	MOQ
1	CAM-103 BLACK	600 TV lines	1/3 CCD Colour	120°	18 infrared LED lights	68	7137735	1
2	CAM-103 WHITE	600 TV lines	1/3 CCD Colour	120°	18 infrared LED lights	68	7137748	1
3	CAM-127 AHD	1280 x 720 max	1/3 CMOS	140°	CDS system	69K	7137767	1

TECHNICAL SPECIFICATION	7137735 / 7137748 CAM-103	7137767 CAM-127	7137738 CAM-970	7137747 CAM-102
VIDEO SYSTEM	PAL	PAL	PAL	PAL
MINIMUM ILLUMINATION	0,5 lux	0,1 lux	0,5 lux	0,05 lux
CONNECTOR	4 PIN	4 PIN	4 PIN	4 PIN
POWER SUPPLY	12 Volt supplied from the monitor			
SHOCKPROOF	4G	4G	4G	4G
WEIGHT	400 g	300 g	250 g	120 g
DIMENSIONS (WxHxD)	77x54x77 mm	86x77x75 mm	129x59x205 mm	Ø 26 mm
MOUNTING	U bracket	U bracket	Screw	Max mounting depth 62 mm
MATERIAL	Aluminum alloy	Aluminum alloy	Aluminum alloy - Plastic	Aluminum alloy

NOTES

P/N 7137767 CDS system ensures superior night vision. Compatible with the MTA MON-7010 Q AHD.

TRAILER EXTENSION CABLES



DESCRIPTION		P/N BOX	MOQ
2 CAMERAS ON TRAILER		7137755	1
TECHNICAL SPECIFICATION			
COMPATIBILITY	MTA Antenne Camera systems		
CABLE TYPE	High resistant and flexible spiral cable		
CONNECTIONS	Heavy duty with secure lock		

4 PIN EXTENSION CABLES



DESCRIPTION	LENGTH mm	P/N BOX	MOQ
HIGH RESISTANT EXTENSION CABLE	5000	7137734	1
HIGH RESISTANT EXTENSION CABLE	10000	7137739	1
HIGH RESISTANT EXTENSION CABLE	20000	7137740	1

TECHNICAL SPECIFICATION	
COMPATIBILITY	MTA Antenne standard and HD cameras
CABLE TYPE	High resistant multicore cable
CONNECTIONS	4 PIN with secure lock

NOTES

Dedicated cables for video signals and power supply to connect MTA Antenne cameras and monitors.

LIST OF ALL ITEMS

P/N	PAGE
7120001	63
7120002	63
7120003	63
7120004	63
7122003	63
7122017	64
7122018	63
7122022	63
7122025	64
7122026	63
7122138	64
7130052	16
7130053	16
7130054	28
7130055	28
7130056	48
7130057	48
7130058	48
7130059	48
7130060	49
7130061	49
7130062	49
7130063	49
7130064	49
7130065	49
7130066	49
7130067	49
7130068	49
7130069	49
7130070	49
7130071	49
7130076	52
7130077	52
7131003	49
7131005	49
7131006	49
7131009	49
7131011	49
7131047	52
7131050	55

P/N	PAGE
7131052	55
7131053	55
7132078	48
7132079	48
7132081	48
7132082	48
7132083	48
7132084	48
7132085	48
7132092	44
7137134	16
7137567	58
7137574	59
7137594	60
7137730	65
7137731	65
7137734	68
7137735	66
7137739	68
7137740	68
7137748	66
7137755	67
7137767	66
7137780	65
7420003	49
7550192	56
7550196	56
7550197	56
7550199	56
7550200	56
7551041	56
7551042	56
7551045	56
7551046	56
7551048	56
7551049	56
7552012	56
7556001	56
7556002	56
7560273	50

P/N	PAGE
7560274	50
7560275	50
7560390	44
7560410	50
7560411	50
7560412	50
7560413	50
7560414	50
7560415	50
7560416	50
7560417	42
7560418	42
7560419	43
7560420	43
7560421	44
7560422	44
7560423	45
7560424	45
7560425	45
7560426	45
7561004	44
7561006	45
7561007	45
7561011	50
7561012	50
7561013	50
7561014	50
7561015	50
7561021	46
7562030	44
7581010	50
7581011	50
7581012	50
7581013	50
7581057	51
7581071	48
7581072	48
7581109	48
7581116	51
7581122	49

P/N	PAGE
7581123	48
7581134	49
7581147	50
7581148	50
7581162	48
7581164	48
7581170	52
7581171	52
7581172	52
7581179	51
7581183	50
7581185	50
7581187	50
7581193	50
7581195	50
7581197	50
7582275	51
7582276	51
7582277	51
7582278	51
7582279	51
7582280	51
7582281	51
7582282	51
7582283	51
7582284	51
7582285	51
7582286	51
7582287	51
7582288	51
7582289	51
7582290	51
7584045	50
7584046	50
7584047	50
7584048	50
7584049	50
7584050	50
7584051	50
7584052	50

LIST OF ALL ITEMS



P/N	PAGE
7584053	50
7584054	50
7584055	50
7584056	50
7584065	50
7584066	50
7584067	50
7584068	50
7584069	50
7584070	50
7584071	50
7584072	50
7584079	50
7584080	50
7584081	50
7584082	50
7584083	51
7584084	51
7584085	51
7584086	51
7584087	51
7584088	51
7584089	51
7584090	51
7584091	51
7584092	51
7584093	51
7584094	51
7584095	51
7584096	51
7584097	51
7584098	51
7584099	51
7584100	51
7584102	51
7584103	51
7584104	51
7584105	51
7584106	51
7584107	51

P/N	PAGE
7584108	51
7584109	51
7584110	51
7584111	51
7584112	51
7584113	51
7584114	51
7584115	51
7584116	48
7584117	48
7584118	48
7584119	48
7584120	48
7584121	48
7584124	48
7584125	48
7584126	49
7584127	49
7584128	48
7584129	48
7584130	48
7584131	48
7584132	48
7584133	48
7584134	48
7584135	48
7584136	48
7584137	48
7584138	48
7584139	48
7584140	48
7584141	48
7584142	49
7584143	49
7584144	51
7584145	51
7584146	51
7584147	51
7584148	51
7584149	51

P/N	PAGE
7584160	52
7584161	52
7584162	52
7584163	52
7584164	52
7584165	52
7590007	42
7590008	43
7590009	42
7590013	43
7620018	13
7627008	13
7640006	28
7650013	10
7650014	10
7650015	10
7650016	10
7650017	11
7650018	11
7650019	11
7650021	10
7650022	10
7650023	10
7650024	10
7650025	11
7650027	11
7650028	11
7657008	11
7657009	10
7657015	10
7657016	11
7657019	10
7657020	11
7657021	10
7660300	12
7660301	12
7660302	12
7660303	12
7660304	12
7660305	12

P/N	PAGE
7660306	12
7660307	12
7667010	12
7667011	12
7667012	12
7667013	12
7670210	5
7670211	5
7670212	5
7670213	5
7670214	5
7670218	4
7670219	4
7670220	4
7670221	5
7670222	5
7670223	5
7670224	5
7670225	5
7670229	4
7670230	4
7670231	4
7670232	13
7670233	14
7670234	14
7670235	15
7670236	15
7670237	18
7670238	18
7670239	6
7670240	6
7670241	7
7670242	7
7670243	8
7670244	8
7670245	9
7670246	9
7670247	9
7670248	9
7677153	13

LIST OF ALL ITEMS

P/N	PAGE	P/N	PAGE	P/N	PAGE	P/N	PAGE
7677154	14	7697330	62	7770064	22	8610144	35
7677155	14	7697332	62	7770068	22	8610145	35
7677500	4	7723001	21	7770069	22	8610147	25
7677510	4	7723002	21	7770070	22	8610156	34
7677520	4	7723003	20	7770071	22	8610157	26
7677810	5	7723004	20	7770072	29	8610176	25
7677815	5	7723005	21	7770073	29	8610177	25
7677820	5	7723006	21	7770074	30	8610178	26
7677821	7	7723007	20	7770075	30	8610179	26
7677825	5	7723008	20	7770076	31	8610180	36
7677830	5	7727098	21	7770077	31	8610181	37
7677831	8	7727099	21	7770078	22	8610182	38
7677861	7	7727106	20	7770079	22	8610183	39
7677865	9	7727108	20	7770080	20	8610184	40
7677870	9	7750004	24	7771000	30		
7677871	8	7750006	24	7771001	30		
7677878	9	7750180	24	7771002	31		
7677882	9	7750191	24	7771003	31		
7677925	15	7750192	24	7771004	29		
7677929	15	7750193	24	7771005	29		
7677951	18	7750194	24	7771010	28		
7677955	18	7750195	24	7771019	20		
7680639	27	7750196	24	7776010	20		
7680640	27	7750197	24	8510004	52		
7681080	27	7750198	24	8510029	52		
7681096	27	7750199	24	8510050	52		
7690014	17	7750200	24	8510051	52		
7690015	17	7750201	24	8510064	52		
7693001	61	7750202	24	8510081	52		
7693002	61	7750204	23	8510082	52		
7693003	61	7750205	23	8510083	52		
7693004	62	7751001	23	8510084	52		
7693005	62	7757001	24	8510085	52		
7693006	62	7757002	24	8510086	52		
7697015	17	7757006	24	8510087	52		
7697018	17	7770035	22	8510088	52		
7697320	61	7770052	22	8510089	52		
7697321	61	7770057	22	8510090	52		
7697322	61	7770058	22	8610138	33		
7697323	62	7770059	22	8610142	33		

According to the copyright and the civil law, the reproduction of this catalogue, or any part of this one, by electronic, mechanical methods, by means of photocopies, microfilms, recordings or other, is peremptorily forbidden. Rights are reserved for all countries.

Drawings, specifications and reference numbers may be modified and changed. MTA Antenne S.r.l. reserves itself the right, to make changes for technical or quality improvements, without any notice.

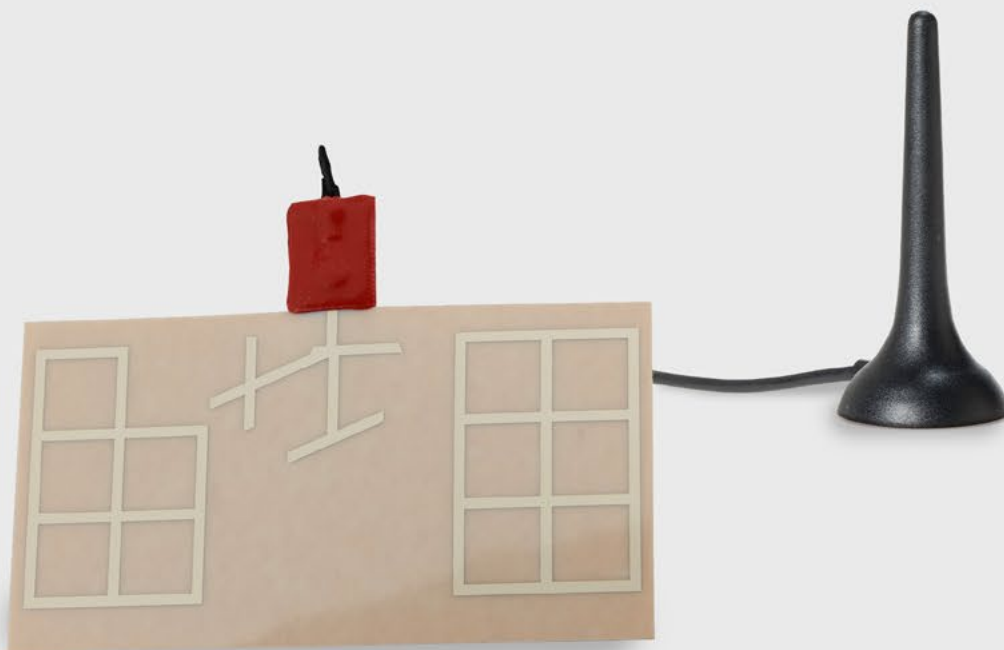
The products in this catalogue are intended for industrial and professional use and must be installed and operated by qualified personnel. The buyer is obliged to inform the end user of the risks associated with the misuse of the products (e.g. electric shock, explosion, etc.). The seller shall be held exempt from any use that is improper and/or arising also and not only from omitted and/or insufficient information relating to the above products and their use.



To know MTA agents and distributors in the world
please go to www.mta.it/en/sales-organization



www.mta.it



Ref. 9951001

